

Pumps

High quality exclusive pumps for maximum durability
and high performance



Products from Pahlén Pool System,
for a trouble-free pool ownership.

For more information: www.pahlen.com

Pahlén 

Made in Sweden

Pahlén pumps - The right circulation for your pools wellbeing



Exclusive pumps for efficient circulation. The pump and motor are integrated into a compact single unit, with a pre-filter housing. The strainer basket in the pre-filter effectively collects twigs, leaves, insects etc. and is easy removable for cleaning. To ensure good quality, water in a private pool should be circulated at least 4-6 times per day.

Pumps



P01/EcoP01

Pool pumps of bronze run quiet and stable. A speed controlled pump reduces the operating costs compared with conventional pumps.



P2000/P2000FLO

Pool pumps of bronze run quiet and stable. Equipped with a strainer basket making it easy to remove dirt such as leaves. Available in two versions; with or without pre-filter.



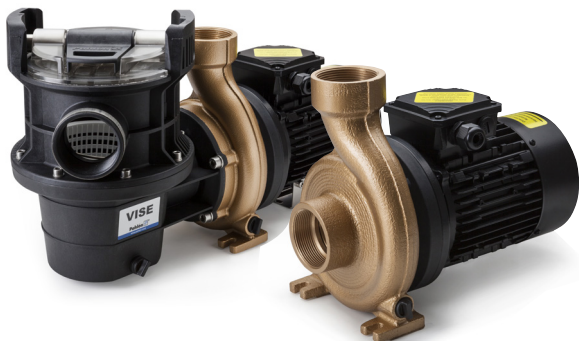
P85/P85FLO

Pool pumps of bronze run quiet and stable. Pool pump P85 is available in two versions; with or without pre-filter.



PT750/PT750FLO

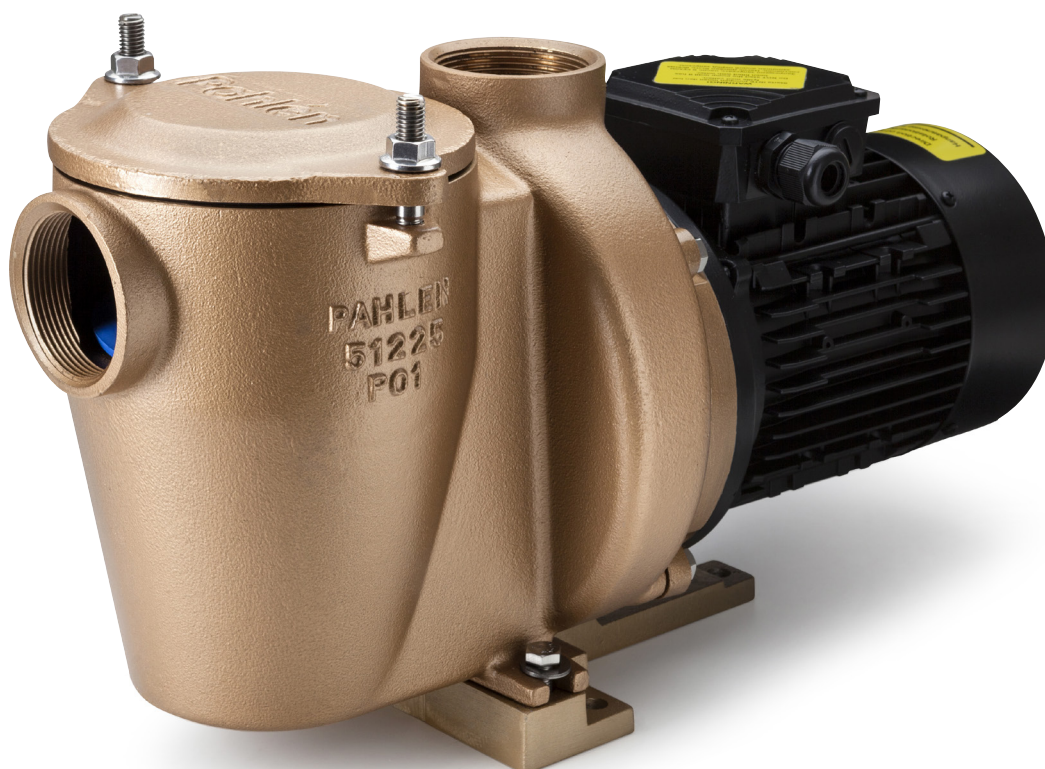
Pool pumps of bronze run quiet and stable. Pumps without pre-filters for various purposes where the only requirement is distributing water. Suitable for i.e. spas, circulation, solar heating, fountains and waterfalls.



WaterWISE/EcoWISE/FloWISE

Pumps of thermoplastic/bronze. Proven and rigid bronze material in pump housing and impeller, stainless steel shaft and mechanical seal with thermoplastic pre-filter, which ensures long lasting endurance. Available in two versions; with or without pre-filter.

Pumps



P01 0.37-1.5kW

Pool pumps of bronze run quiet and stable. The pump impeller is also made of bronze and it is fitted to a shaft made of acid proof stainless steel. Equipped with a strainer basket making it easy to remove dirt such as leaves and insects.

Features

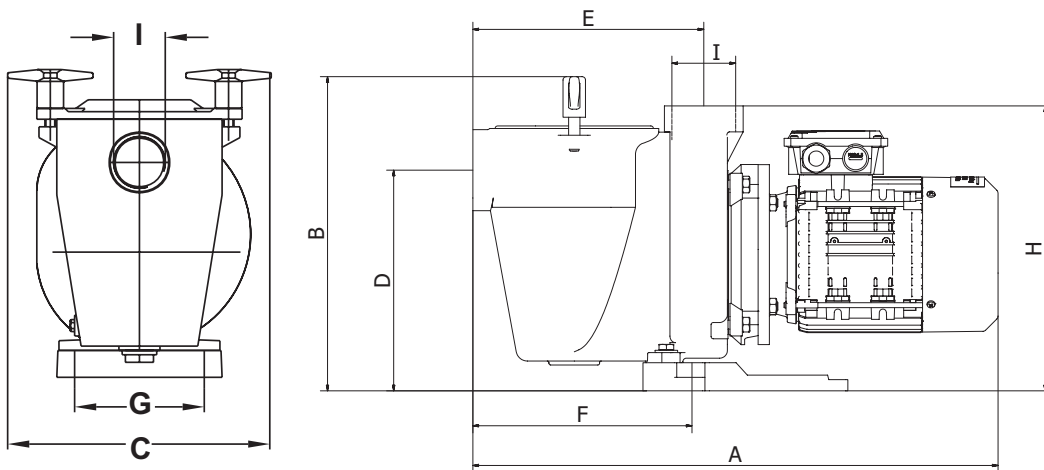
- Pump housing and pump impeller made of bronze
- Pump shaft made of acid proof stainless steel
- High-quality motors IE3
- Equipped with drain plug
- Third-party tested and certified

Technical data

Voltage/Ampere

Item no.	Type	kW 50Hz	Voltage/Ampere			kg
			230/1 ~	230/3 ~	400/3 ~	
120100	T37	0.37	-	2.1	1.2	18.3
120200	S37	0.37	3,4	-	-	18.3
120105	T55	0.55	-	2.8	1.6	19
120205	S55	0.55	4,3	-	-	19
120110	T75	0.75	-	2.9	1.7	23.5
120210	S75	0.75	5.5	-	-	23.5
120115	T110	1.1	-	4.2	2.4	26.8
120215	S110	1.1	6.6	-	-	26.8
120120	T150	1.5	-	5.2	3.0	28
120220	S150	1.5	9.6	-	-	28

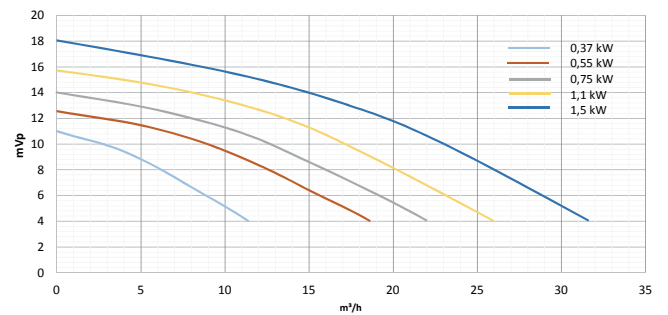
Also available in 60 Hz version. Contact Pahlén AB for information.



Dimensions

Item no.	A	B	C	D	E	F	G	H	I
120100, 120200	466	285	245	210	202	160	126,5	255	2"
120105, 120205	466	285	245	210	202	160	126,5	255	2"
120110, 120210	484	285	245	210	202	160	126,5	255	2"
120115, 120215	502	285	245	210	202	160	126,5	255	2"
120120, 120220	521	285	245	210	202	160	126,5	255	2"

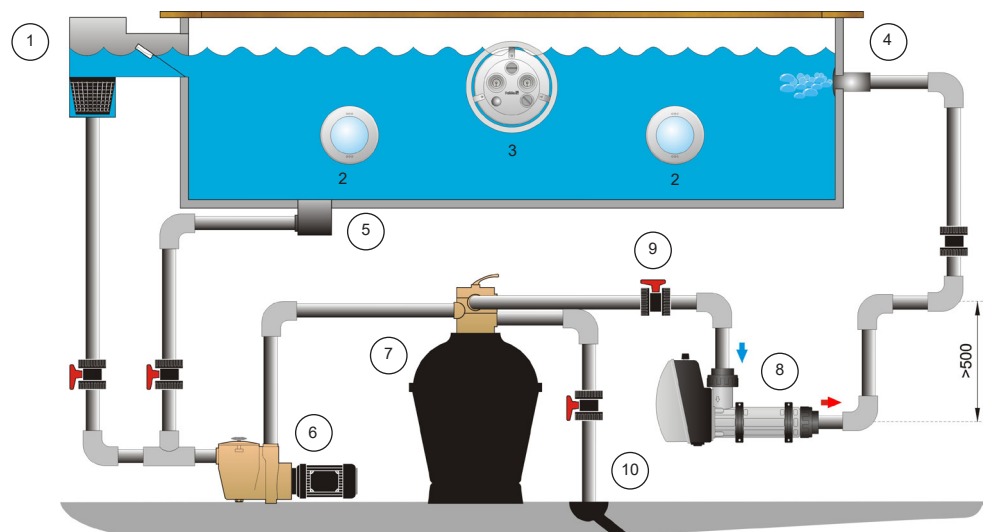
Pump capacities



Swedish-made quality bronze pumps with optimum performance.

Installation overview

1. Skimmer
2. Light
3. Jet Swim
4. Inlet
5. Main drain
6. Pump
7. Filter
8. Heater
9. Check valve
10. Drain



Pumps



EcoP01 0,75kW

Pool pumps of bronze run quiet and stable. The pump impeller is also made of bronze and it is fitted to a shaft made of acid proof stainless steel. Equipped with a strainer basket making it easy to remove dirt such as leaves and insects.

A speed controlled pump reduces the operating costs compared with conventional pumps. Lower speeds give lower energy consumption and quieter operation.

An existing pool pump P01 can be advantageously upgraded with EcoP01 drive end to get the same characteristics as EcoP01.

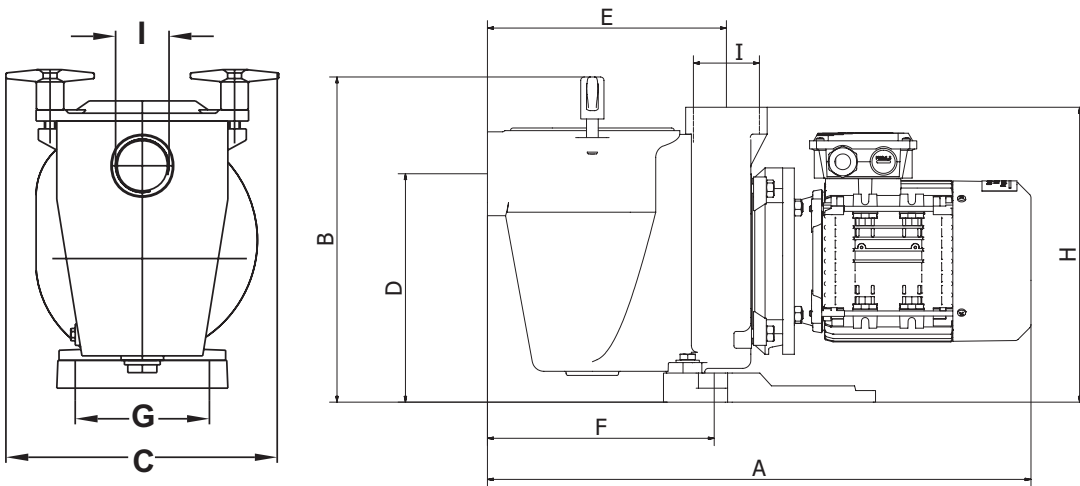
Features

- Pump housing and pump impeller made of bronze
- Pump shaft made of acid proof stainless steel
- High-quality motors IE3
- Three selectable adjustable program speeds
- Timer functions for flexible operating conditions
- Equipped with drain plug

Technical data			Voltage/ Ampere	
Item no.	Type	kW 50Hz	230/1 ~	kg
117210	EcoP01 V75	0,75	-	18
631083	EcoP01 drive end	0,75	-	9

Accessories

Item no.	
117100	External switch Eco

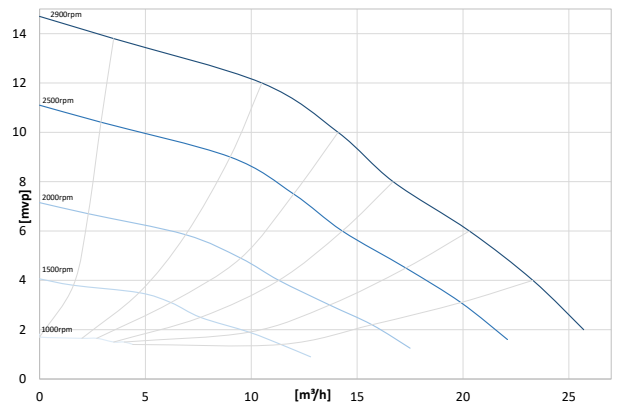


Dimensions

Item no.	A	B	C	D	E	F	G	H	I
117210	466	285	245	210	202	160	126,5	255	2"

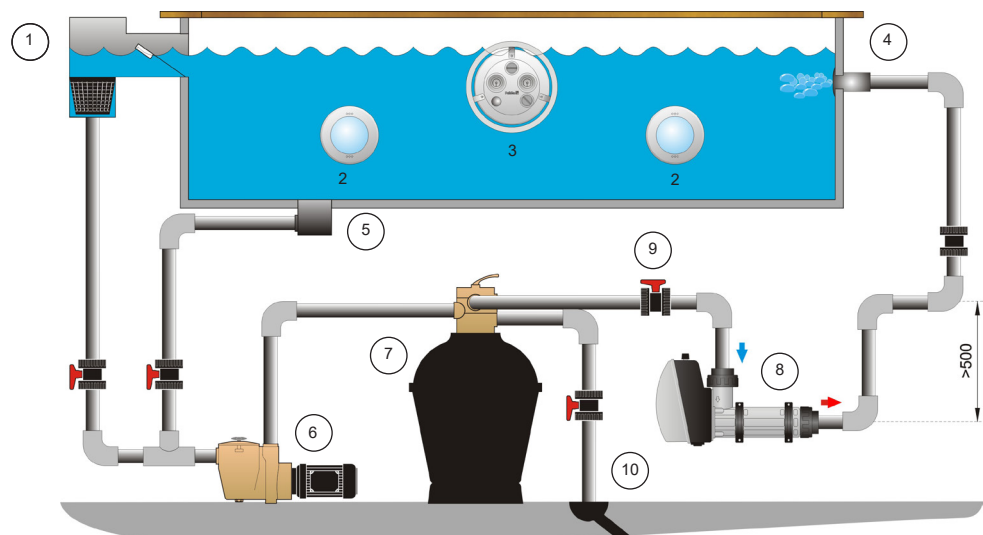
Speed-controlled quality pump in bronze with optimal performance and maximum energy saving.

Pump capacities



Installation overview

1. Skimmer
2. Light
3. Jet Swim
4. Inlet
5. Main drain
6. Pump
7. Filter
8. Heater
9. Check valve
10. Drain



Pumps



P2000/P2000FLO 1.5-4.0kW

Pool pumps of bronze run quiet and are stable. The pump impeller, pre-filter, pumphousing is also made of bronze and it is fitted to a shaft made of acid proof stainless steel. Equipped with a strainer basket making it easy to remove dirt such as leaves.

Pumps without pre-filters for various purposes where the only requirement is distributing water. Suitable for i.e. spas, circulation, solar heating, fountains and waterfalls.

Features

- Pump housing and pump impeller made of bronze
- Pump shaft made of acid proof stainless steel
- High-quality motors IE3
- Pre-filter made of bronze with filter basket
- Equipped with drain plug
- Third-party tested and certified

Technical data P2000			Voltage/Ampere		
Item no.	Type	kW 50Hz	230/3 ~	400/3 ~	kg
112201	T150	1.5	5.2	3.0	35.8
112211	T220	2.2	8.0	4.6	37.8
112221	T400	4.0	-	8.0	45.8

Technical data P2000FLO			Voltage/Ampere		
Item no.	Type	kW 50Hz	230/3 ~	400/3 ~	kg
115201	T150	1.5	5.2	3.0	25.7
115211	T220	2.2	8.0	4.6	27.7
115221	T400	4.0	-	8.0	35

Dimensions												
Item no.	A	B	C	D	E	F	G	H	I	J	K	
112201	620	335	275	225	250	330	130	3"	2½"	82	220	
112211	620	335	275	225	250	330	130	3"	2½"	82	220	
112221	710	335	275	225	250	330	130	3"	2½"	82	220	

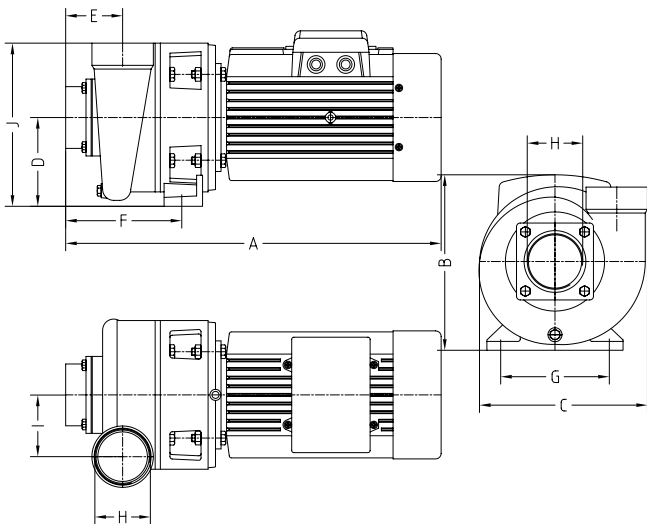
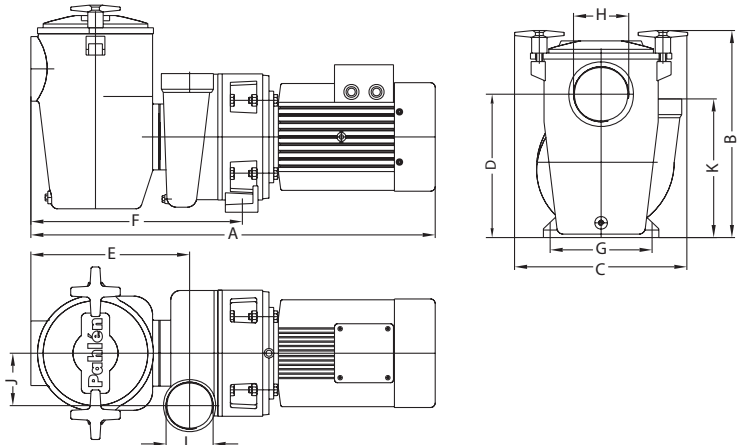
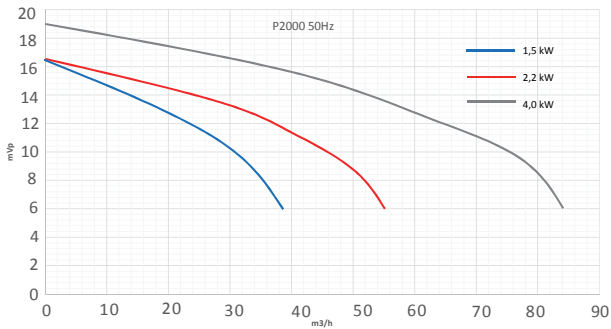
Also available in 60 Hz version. Contact Pahlén AB for information.

Dimensions

Item no.	A	B	C	D	E	F	G	H	I	J
115201	445	245	230	122	77	155	130	2½"	82	220
115211	445	245	230	122	77	155	130	2½"	82	220
115221	540	285	230	122	77	155	130	2½"	82	220

Also available in 60 Hz version. Contact Pahlén AB for information.

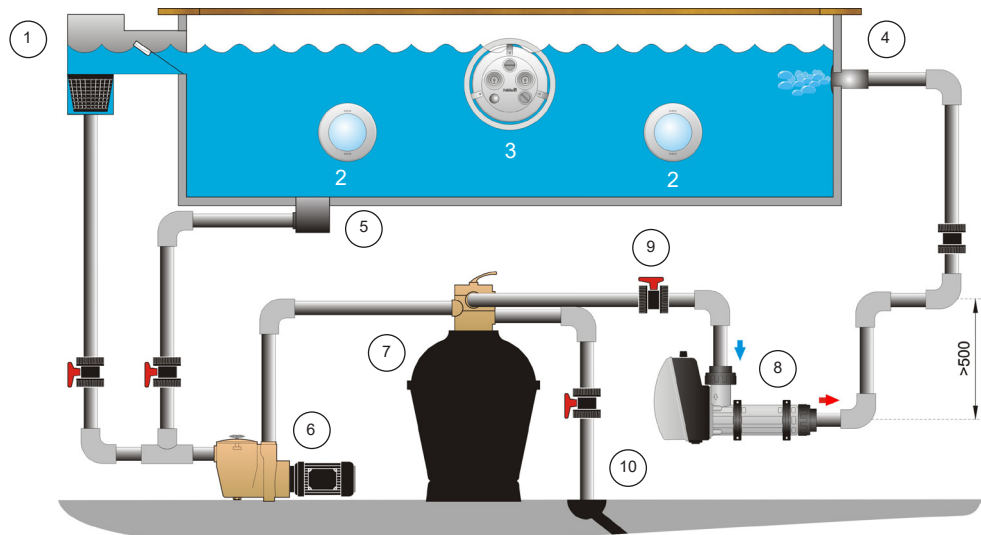
Pump capacities



When high demands are made on capacity, steady and quiet operation and long life without interruption.

Installation overview

1. Skimmer
2. Light
3. Jet Swim
4. Inlet
5. Main drain
6. Pump
7. Filter
8. Heater
9. Check valve
10. Drain



Pumps



With pre-filter

Without pre-filter

P85/P85FLO 5.5kW

Pool pumps of bronze run quiet and are stable. The pump impeller is also made of bronze and it is fitted to a shaft made of acid proof stainless steel. Pool pump P85 is available in two versions; with or without pre-filter.

Pumps without pre-filters for various purposes where the only requirement is distributing water. Suitable for i.e. spas, circulation, solar heating, fountains and waterfalls. The pool pump is equipped with a strainer basket which makes it easy to remove dirt such as leaves.

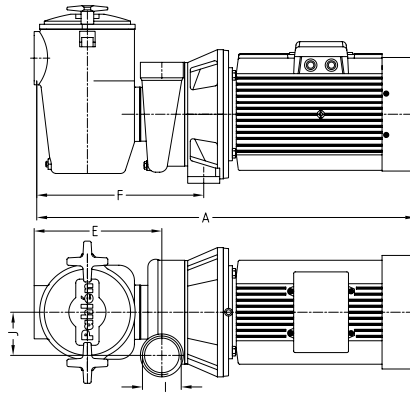
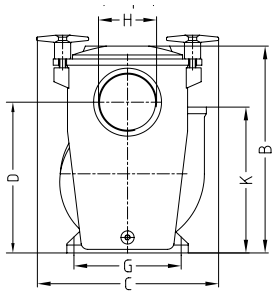
Features

- Pump housing and pump impeller made of bronze
- Pump shaft made of acid proof stainless steel
- High-quality motors IE3
- Pre-filter made of bronze with filter basket
- Equipped with drain plug
- Two different versions. With or without pre-filter
- Third-party tested and certified

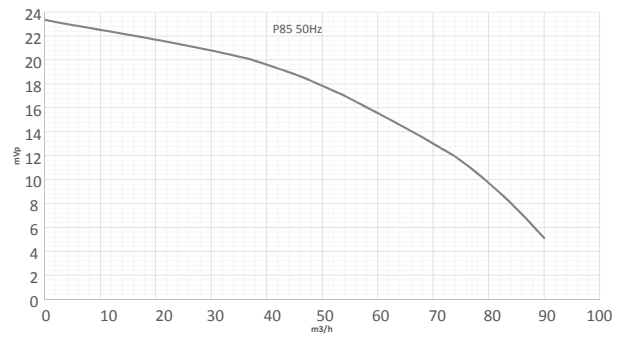
Technical data			Voltage/Ampere		
Item no.	Type	kW 50Hz	400/3 ~	690/3 ~	kg
11224	T550	5.5	10.2	5.9	59
11524	T550	5.5	10.2	5.9	50

Also available in 60 Hz version. Contact Pahlén AB for information.

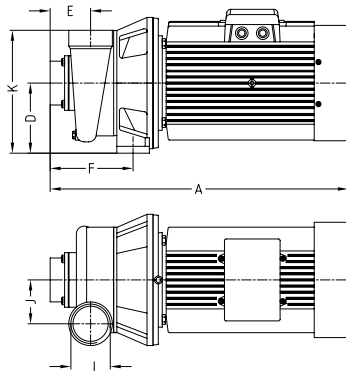
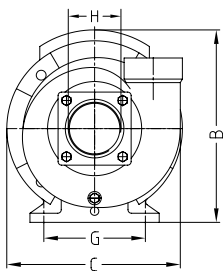
With pre-filter



Pump capacities



Without pre-filter



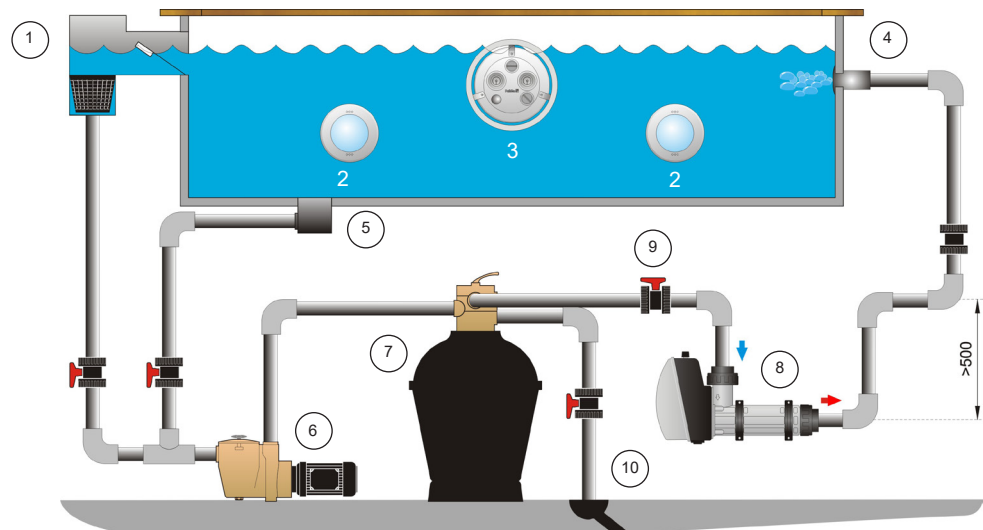
Pump and motor built in one compact unit eases dismantling if service is needed.

Dimensions

Item no.	Type	A	B	C	D	E	F	G	H	I	J	K
11224	T550 (with pre-filter)	815	330	275	250	240	315	140	3"	2½"	82	235
11524	T550 (without pre-filter)	640	275	275	137	77	155	140	2½"	2½"	82	235

Installation overview

1. Skimmer
2. Light
3. Jet Swim
4. Inlet
5. Main drain
6. Pump
7. Filter
8. Heater
9. Check valve
10. Drain



Pumps



With pre-filter

Without pre-filter

PT750/PT750FLO 7.5kW

Pool pumps of bronze run quiet and are stable. The pump impeller is also made of bronze and it is fitted to a shaft made of acid proof stainless steel. Pool pump 7.5kW is available in two versions; with or without pre-filter. Pumps without pre-filters for various purposes where the only requirement is distributing water. Suitable for i.e. spas, circulation, solar heating, fountains and waterfalls.

The pool pump with pre-filter is equipped with a strainer basket which makes it easy to remove dirt such as leaves.

Features

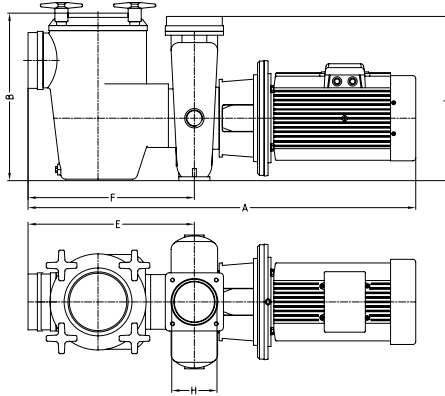
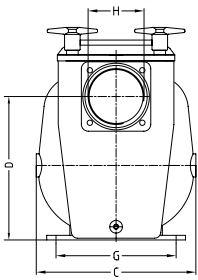
- Pump housing and pump impeller made of bronze
- Pump shaft made of acid proof stainless steel
- High-quality motors IE3
- Pre-filter made of bronze with filter basket
- Equipped with drain plug
- Two different versions. With or without pre-filter
- Third-party tested and certified

Technical data

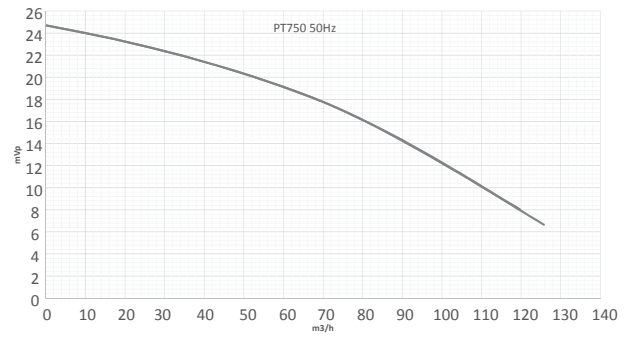
Voltage/Ampere

Item no.	Type	kW 50Hz	Voltage	Voltage/Ampere		kg
				400/3 ~	690/3 ~	
12225	T750	7.5	400/690	13.7	7.9	108
12227	T750	7.5	400/690	13.7	7.9	79

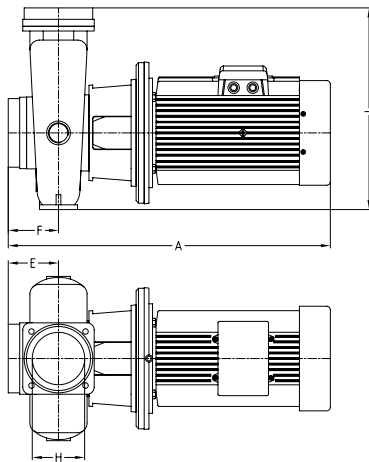
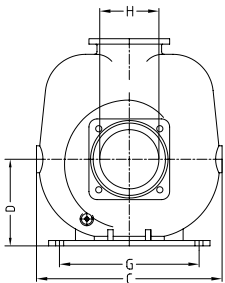
With pre-filter



Pump capacities



Without pre-filter



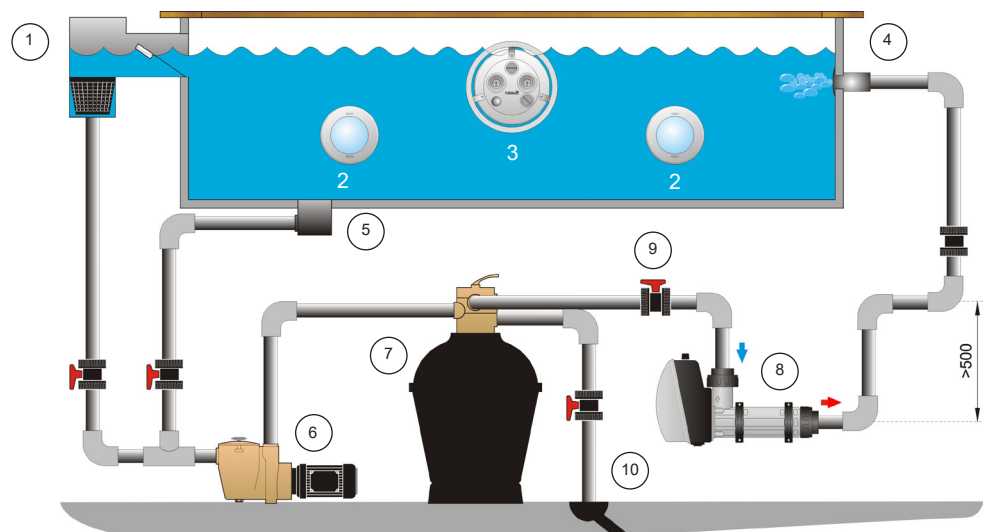
Choosing the right pump with optimal capacity is important for achieving the best circulation and reduced operating costs.

Dimensions

Item no.	Type	A	B	C	D	E	F	G	H	I
12225	T750 (with pre-filter)	995	410	360	300	390	390	260	110	430
12227	T750 (without pre-filter)	720	-	360	160	115	115	260	110	430

Installation overview

1. Skimmer
2. Light
3. Jet Swim
4. Inlet
5. Main drain
6. Pump
7. Filter
8. Heater
9. Check valve
10. Drain





WaterWISE pre-filter pump 0.25–1.10 kW

Pump housing and impeller with optimal construction, designed to ensure energy efficiency and quiet operation.

Proven and rigid bronze material in pump housing and impeller, stainless steel shaft and mechanical seal with thermoplastic pre-filter, which ensures long lasting endurance.

The pre-filter, with an easily detachable, transparent securing lid, is versatile with up to seven different inlet-positions. This allows flexible and compact installation. 2" female thread inlet/outlet connections.

Features

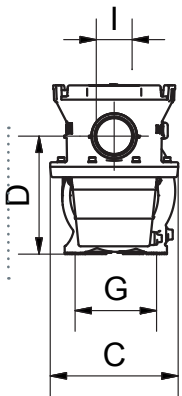
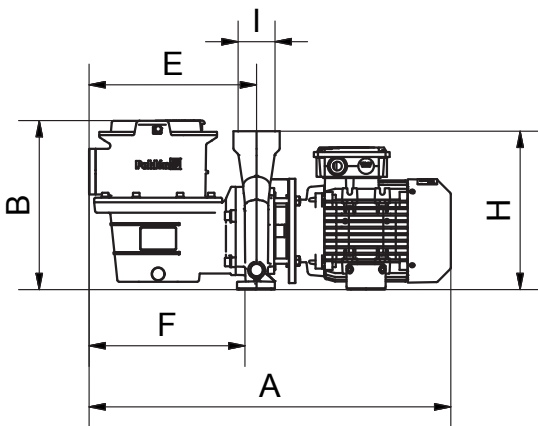
- Pump housing and pump impeller made of bronze
- Pump shaft in acid proof stainless steel
- High-quality motors IE3
- Versatile pre-filter allowing different inlet-positions
- Higher performance/energy ratio
- Reduced sound levels
- Third-party tested and certified

Technical data		Voltage/Ampere			
Item no.	Type	kW 50Hz	3~230V	1~230V	3~400V
118100	HS25	0.25	-	1.95	-
118101	HS37	0.37	-	3,4	-
118121	HT37	0.37	2.1	-	1.2
118102	HS55	0.55	-	4,1	-
118122	HT55	0.55	2.8	-	1.6
118103	HS75	0.75	-	5.5	-
118123	HT75	0.75	2.9	-	1.7
118104	HS110	1.10	-	6.6	-
118124	HT110	1.10	4.2	-	2.4

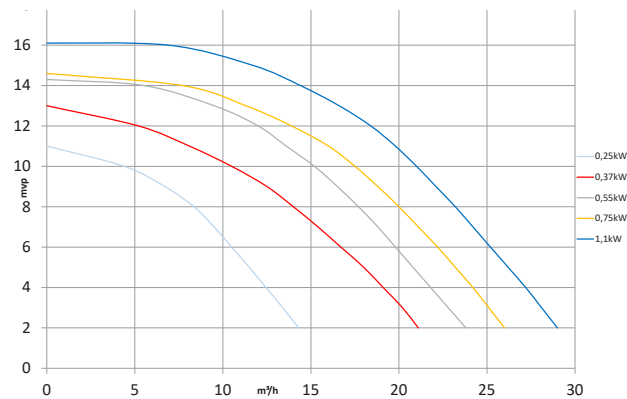
Versatile pre-filter allowing different inlet-positions for a flexible and compact installation.

Dimensions

Item no.	Type	A	B	C	D	E	F	G	H	I
118100	HS25	489	280	196	181	257	239	125	243	2"
118101	HS37	519	280	196	181	257	239	125	243	2"
118121	HT37	519	280	196	181	257	239	125	243	2"
118102	HS55	519	280	196	181	257	239	125	243	2"
118122	HT55	519	280	196	181	257	239	125	243	2"
118103	HS75	537	280	196	181	257	239	125	243	2"
118123	HT75	537	280	196	181	257	239	125	243	2"
118104	HS110	555	280	196	181	257	239	125	243	2"
118124	HT110	555	280	196	181	257	239	125	243	2"

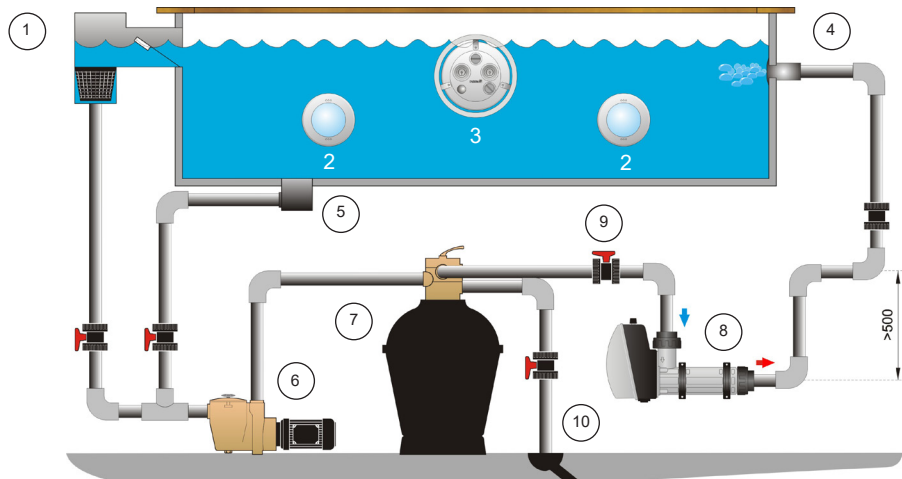


Pump capacities



Installation overview

1. Skimmer
2. Light
3. Jet Swim
4. Inlet
5. Main drain
6. Pump
7. Filter
8. Heater
9. Check valve
10. Drain





EcoVISE variable speed pump 0.75 kW

Three selectable program speeds ensure silent operation, energy savings and more efficient filtration. Built on the same design and performance as WaterVISE, with a high efficiency, motor. Integrated timer functions and external control of selected speeds. Whether it's used in low speed (night mode) or normal speed (normal filter mode) or high speeds (backwash mode), the current electronic system has an efficient and eco-friendly pump function.

A speed controlled pump reduces the operating costs compared with conventional pumps with induction motors. Lower speeds give lower energy consumption and quieter operation. External cable for remote speed controlling is included.

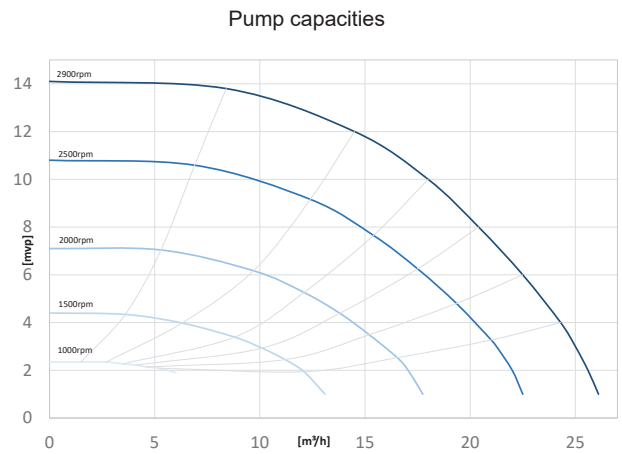
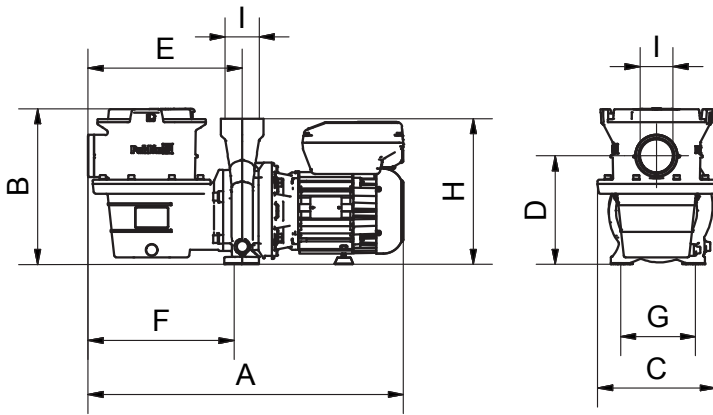
Features

- WaterVISE design and performance
- High efficiency, synchronous motor IE3
- Three adjustable selectable program speeds
- Timer functions for flexible operating conditions
- External speed control as accessories
- Maximum energy savings

Technical data		Voltage/Ampere				
Item no.	Type	kW 50Hz	3~230V	1~230V	3~400V	kg
117103	HV75	< 0.75	-	4.4	-	13

Accessories

Item no.	
117100	External switch Eco



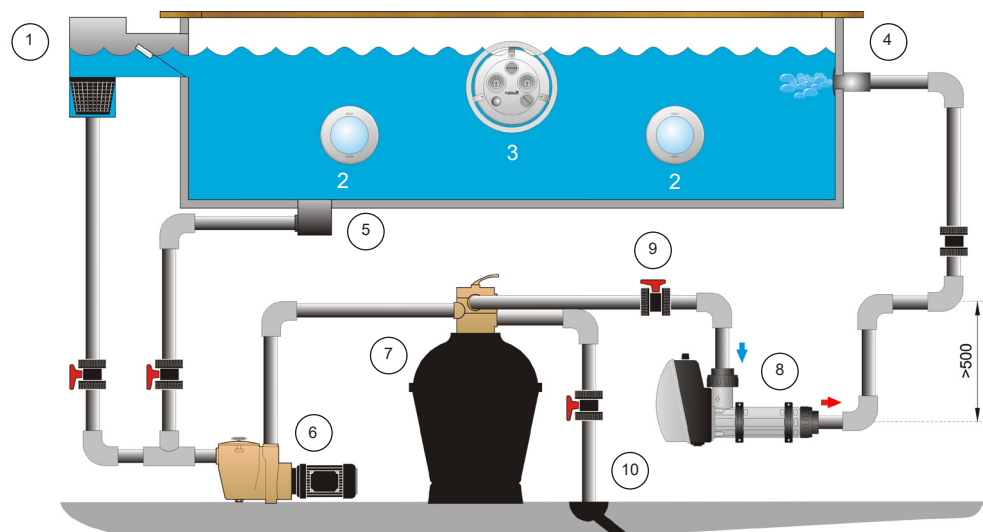
Dimensions

Item no.	Type	A	B	C	D	E	F	G	H	I
117103	HV75	525	280	196	181	257	239	125	243	2"

Energy saving, speed controlled pool pump. Lowers energy consumption.
 Three speeds for efficient and eco-friendly pump function.

Installation overview

1. Skimmer
2. Light
3. Jet Swim
4. Inlet
5. Main drain
6. Pump
7. Filter
8. Heater
9. Check valve
10. Drain



Pumps



FloVISE massage pump 0.25–1.10 kW

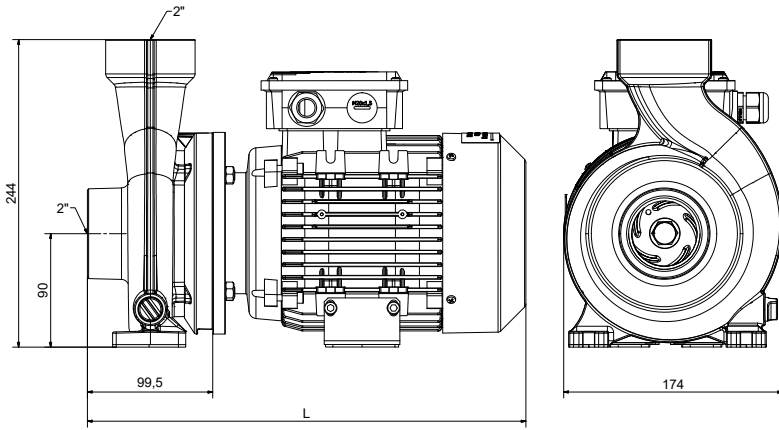
Pump with optimal construction, designed to ensure energy efficiency and quiet operation. Proven and rigid bronze material in pump housing and impeller, stainless steel shaft and mechanical seal, which ensures long lasting endurance.

For pool and spa applications like massage and water attractions.

Features

- Pump housing and pump impeller made of bronze
- Pump shaft in acid proof stainless steel
- High-quality motors IE3
- Higher performance/energy ratio
- Reduced sound levels
- Third-party tested and certified

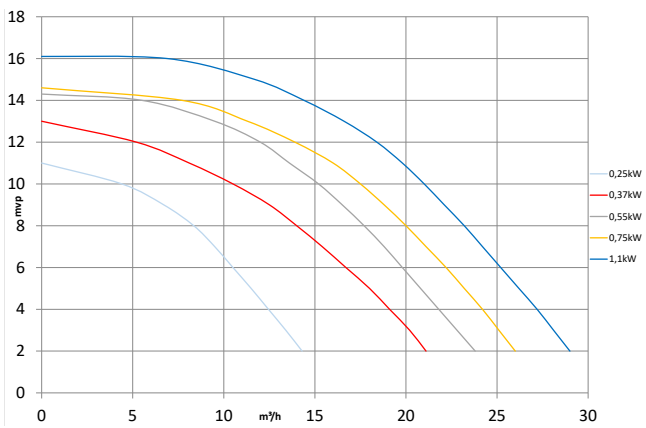
Technical data			Voltage/Ampere		
Item no.	Model	kW 50Hz	3~230V	1~230V	3~400V
119100	TS25	0,25 kW	-	1,9	-
119101	TS37	0,37 kW	-	3,4	-
119121	TT37	0,37 kW	2,1	-	1,2
119102	TS55	0,55 kW	-	4,3	-
119122	TT55	0,55 kW	2,8	-	1,6
119103	TS75	0,75 kW	-	5,5	-
119123	TT75	0,75 kW	2,9	-	1,7
119104	TS110	1,10 kW	-	6,6	-
119124	TT110	1,10 kW	4,3	-	2,5



Dimensions

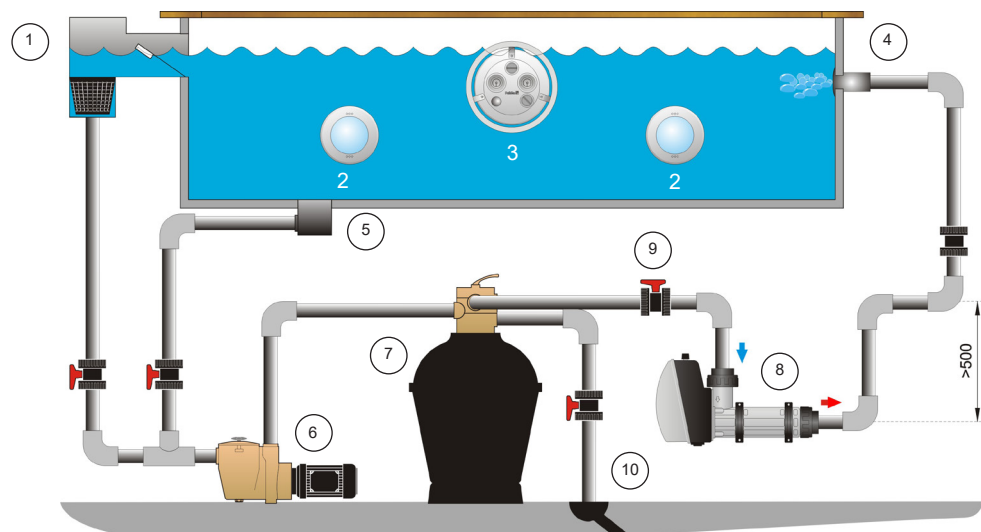
Effect	0,25kW	0,37kW	0,55kW	0,75kW	1,1kW
Lenght	278	308	308	328	348

Pump capacities



Installation overview

1. Skimmer
2. Light
3. Jet Swim
4. Inlet
5. Main drain
6. Pump
7. Filter
8. Heater
9. Check valve
10. Drain





Pahlén AB

Box 728, 194 27 Upplands Väsby, Sweden
Email: info@pahlen.se, www.pahlen.com

We do not accept liability for printing errors.
We reserve the right to make changes to specification and product range.
Colour deviation may occur due to restrictions in the printing process.