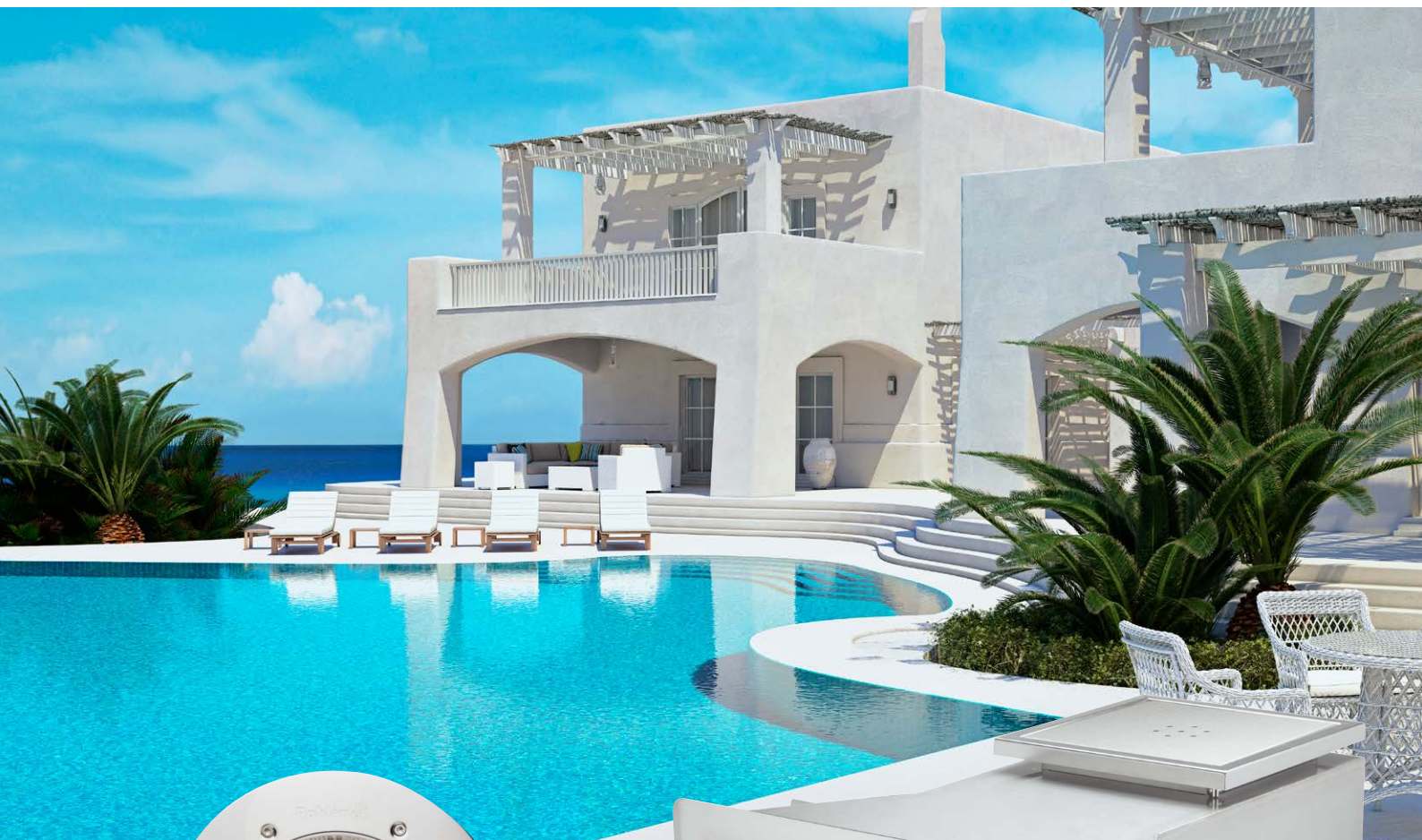


Swimming pool equipment

Acid proof stainless steel for optimum quality



Products from Pahlén Pool System,
for a trouble-free pool ownership.

For more information: www.pahlen.com

Pahlén 

Made in Sweden

Underwater lighting - Creates a pleasant atmosphere



Create a beautiful pool with **Pahlén lights**. An exclusive light series for those who are in search for high quality and appearance. The polished stainless steel front raises the quality feel in your pool.

Swimming pool lighting



Marine

Made of acid proof stainless steel with polished front.



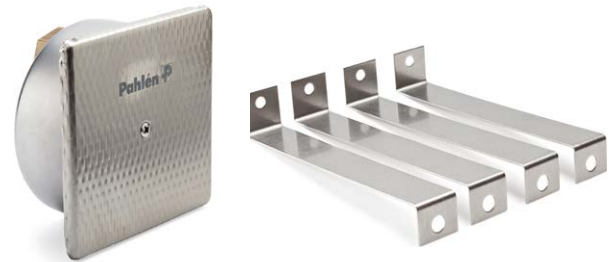
Classic

Made of acid proof stainless steel with polished front.



LED spots

Made of acid proof stainless steel.
Available in warm or cold white and RGB.



Accessories

Stainless steel junction box, cable conduit, safety transformer and niche fixtures.

Lights



Marine LED AP

Marine LED 170

Made of acid proof stainless steel with polished front. Suits all types of installations. Supplied as a complete unit with a niche for simple installation. The LED lights produce a soft and pleasant glow, they are energy efficient and provide added safety when swimming in the evening.

Features

LED ML

- Acid proof stainless steel
- LED lamp and cable in one unit
- Supplied with a 4 m long connecting cable
- Colour synchronization with installation of more than one coloured light through common transformer
- Suits all types of installations

Features

LED AP

- Acid proof stainless steel
- Supplied with a 4 m long connecting cable
- Colour synchronization with installation of more than one coloured light through common transformer
- Suits all types of installations.
- Can be remote controlled, available as an option
- RGB dimmable

Pool lighting recommendations

Do you care about the environment and at the same time think economically long term? Choose LED lights and you will instantly lower your power consumption.

Our recommendations

Poolsize	Rec. number of lights
3 x 6 m <30 m ³	1
4 x 8 m <50 m ³	2
5 x 10 m <75 m ³	3
6 x 12 m <110 m ³	4

LED control

150110	LED control with remote for ML lights
150120	LED control with remote for AP/ML lights
150130	LED control box with transformer and remote control ML/AP

Marine LED ML (A=concrete pool, CA=pool with liner)

Item no.	Type	W	Color	Kelvin	Lumen	Dimmable	Other
124385	Marine 170ML A-16CW	16	Cold white	9000	1250		
124395	Marine 170ML CA-16CW	16	Cold white	9000	1250		


Marine LED ML (A=concrete pool, CA=pool with liner)

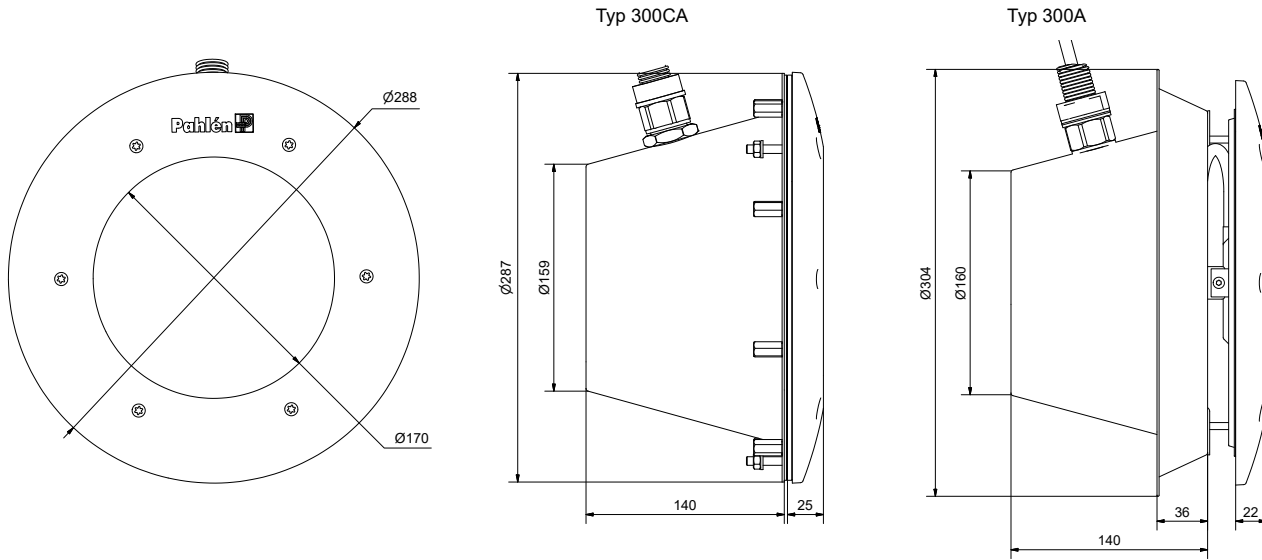
124281	Marine LED A-25RGB	25	RGB	-	1450		16 programs
124291	Marine LED CA-25RGB	25	RGB	-	1450		16 programs
124381	Marine LED A-28CW	28	Cold white	9000	2100		
124391	Marine LED CA-28CW	28	Cold white	9000	2100		

Marine LED AP (A=concrete pool, CA=pool with liner)

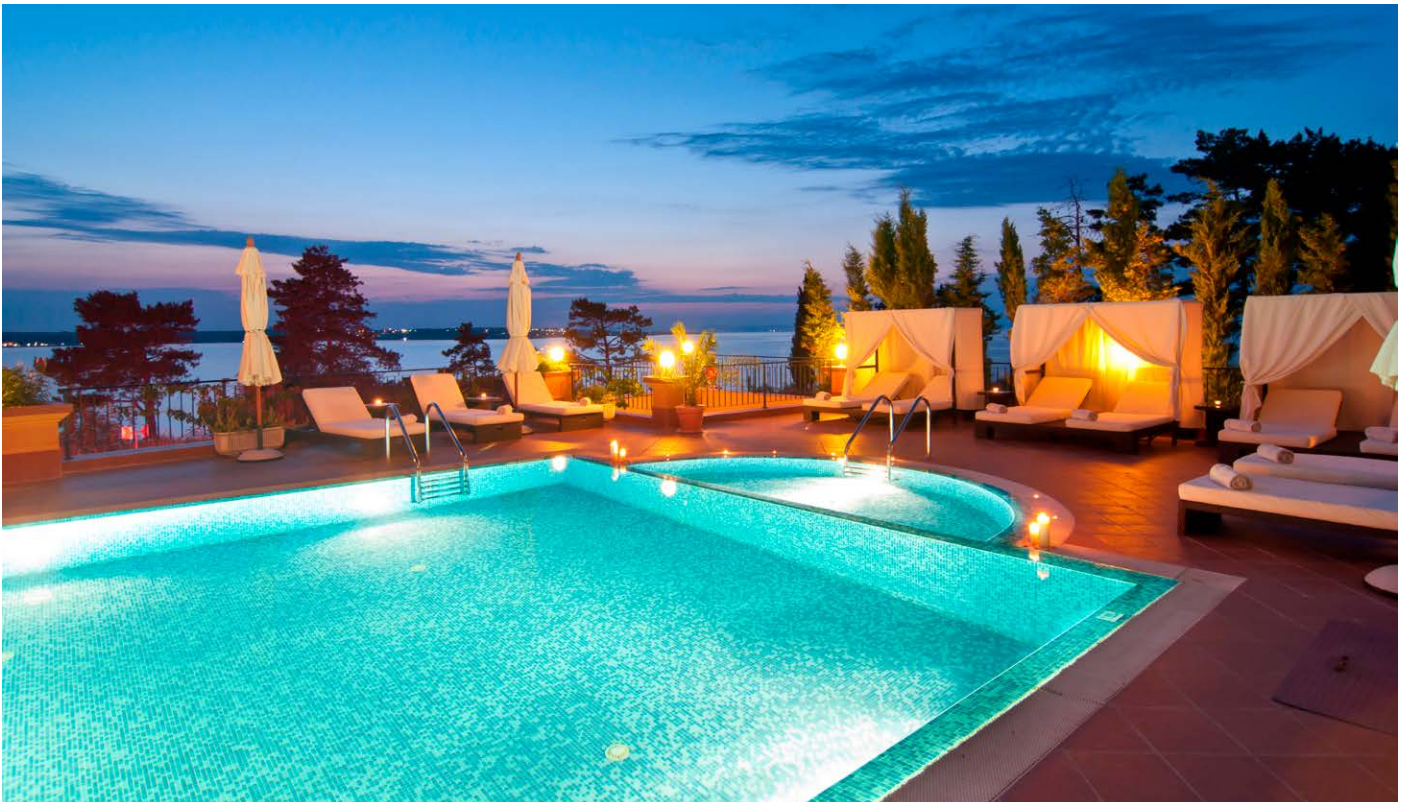
124383	Marine 170AP A-60CW	60	Cold white	5000	5500		
124393	Marine 170AP CA-60CW	60	Cold white	5000	5500		
124583	Marine 170AP A-60WW	60	Warm white	3300	4950		
124593	Marine 170AP CA-60WW	60	Warm white	3300	4950		
124283	Marine 170AP A-75RGB	75	RGB	-	3000	•	14 programs
124293	Marine 170AP CA-75RGB	75	RGB	-	3000	•	14 programs

For options to fibreglass/PP-plastic contact Pahlén AB for more information.

 = Meets requirements of pool standard



Under water lighting creates a pleasant atmosphere, makes it possible to use the pool around-the-clock and provides extra safety when swimming in the evening.



Lights



Classic LED AP

Pool lighting recommendations

Do you care about the environment and at the same time think economically long term? Choose LED lights and you will instantly lower your power consumption.

Our recommendations

Poolsize	Rec. number of lights
3 x 6 m <30 m ³	1
4 x 8 m <50 m ³	2
5 x 10 m <75 m ³	3
6 x 12 m <110 m ³	4

LED control

150110	LED control with remote for ML lights
150120	LED control with remote for AP/ML lights
150130	LED control box with transformer and remote control ML/AP

Classic LED 170

Made of acid proof stainless steel with polished front. Suits all types of installations. Supplied as a complete unit with a niche for simple installation. The LED lights produce a soft and pleasant glow, they are energy efficient and provide added safety when swimming in the evening.

Features

LED ML

- Acid proof stainless steel
- LED lamp and cable in one unit
- Supplied with a 4 m long connecting cable
- Colour synchronization with installation of more than one coloured light through common transformer
- Suits all types of installations

Features

LED AP

- Acid proof stainless steel
- Supplied with a 4 m long connecting cable
- Colour synchronization with installation of more than one coloured light through common transformer
- Suits all types of installations.
- Can be remote controlled, available as an option
- RGB dimmable

Classic LED ML (A=concrete pool, CA=pool with liner)

Item no.	Type	W	Color	Kelvin	Lumen	Dimmable	Other
150385	Classic 170ML A-16CW	16	Cold white	9000	1250		
150395	Classic 170ML CA-16CW	16	Cold white	9000	1250		

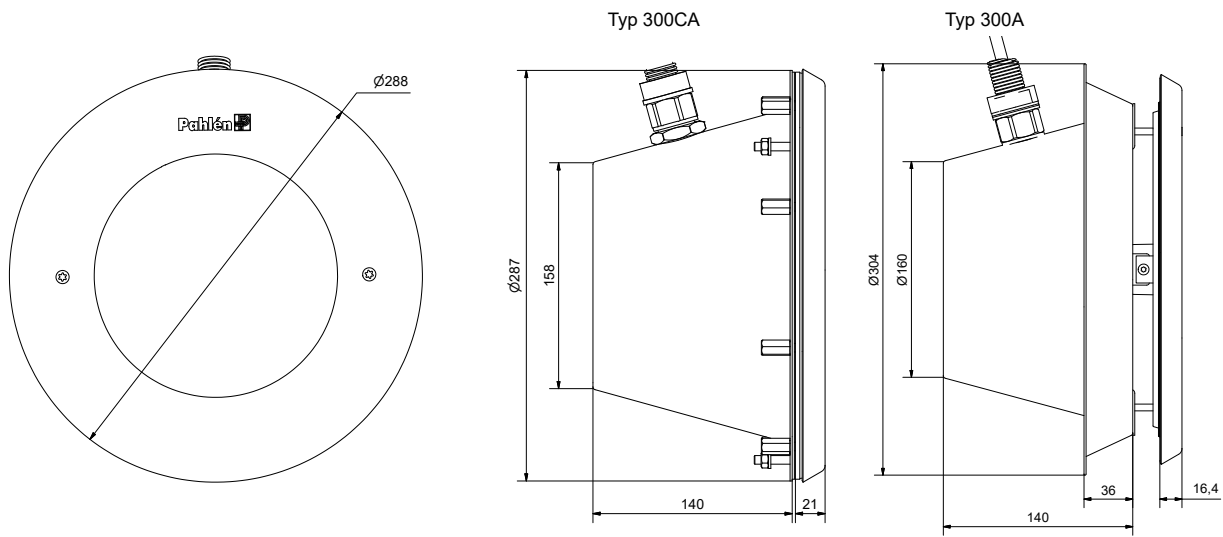
Classic LED ML (A=concrete pool, CA=pool with liner)

150281	Classic 170ML A-25RGB	25	RGB	-	1450		16 programs
150291	Classic 170ML CA-25RGB	25	RGB	-	1450		16 programs
150381	Classic 170ML A-28CW	28	Cold white	9000	2100		
150391	Classic 170ML CA-28CW	28	Cold white	9000	2100		

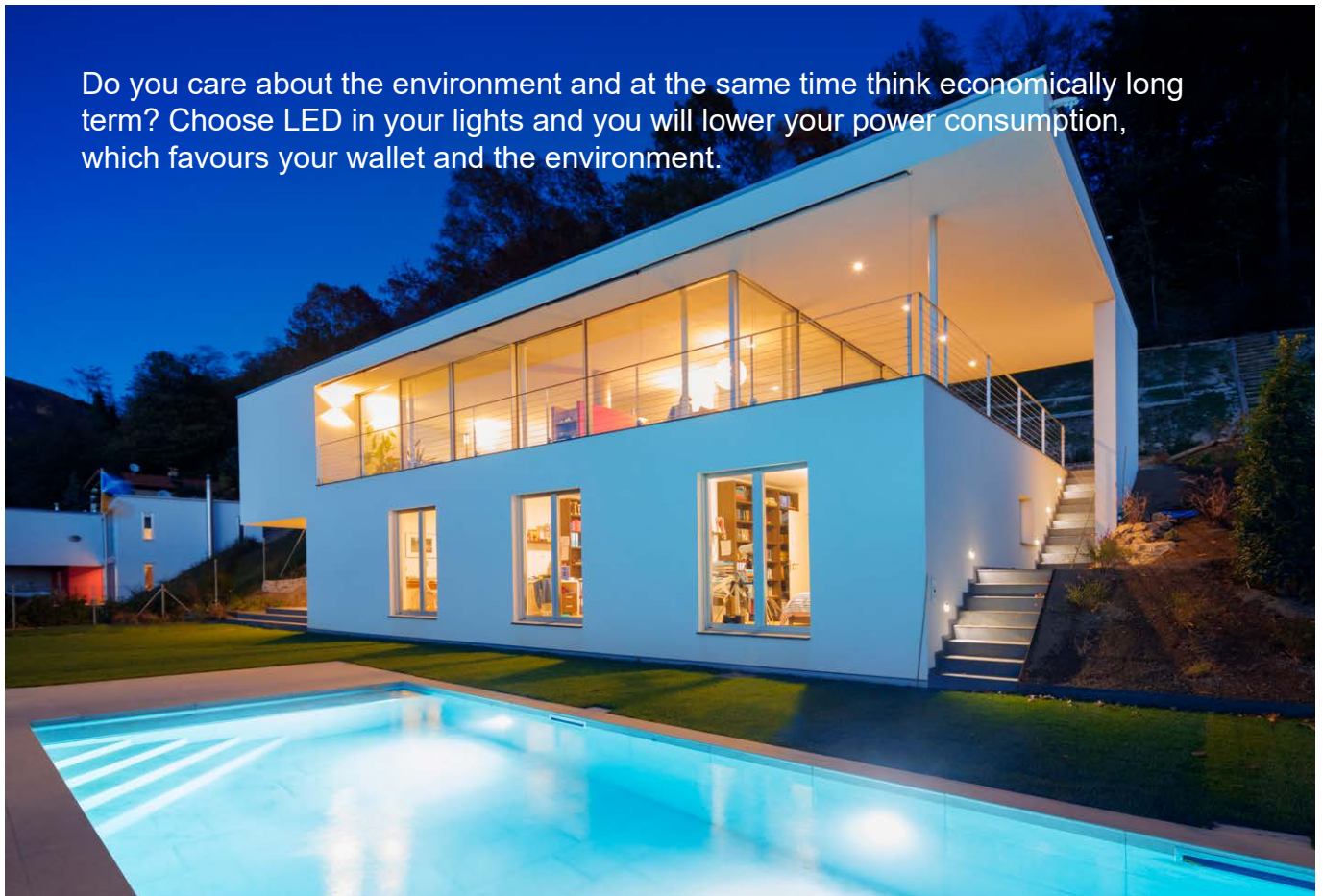
Classic LED AP (A=concrete pool, CA=pool with liner)

150383	Classic 170AP A-60CW	60	Cold white	5000	5500		
150393	Classic 170AP CA-60CW	60	Cold white	5000	5500		
150583	Classic 170AP A-60WW	60	Warm white	3300	4950		
150593	Classic 170AP CA-60WW	60	Warm white	3300	4950		
150283	Classic 170AP A-75RGB	75	RGB	-	3000	•	14 programs
150293	Classic 170AP CA-75RGB	75	RGB	-	3000	•	14 programs

For options to fiberglass/PP-plastic contact Pahlén AB for more information.



Do you care about the environment and at the same time think economically long term? Choose LED in your lights and you will lower your power consumption, which favours your wallet and the environment.



Our recommendations

Pool size	Rec. number of inlet	Rec. number of skimmer	Rec. number of lights
3 x 6 m <30 m ³	2	1	1
4 x 8 m <50 m ³	2	1	2
5 x 10 m <75 m ³	4	2	3
6 x 12 m <110 m ³	4	2	4

Lights

Spotlight LED

Spotlight ideal for lighting in spas, pool stairs, fountains or as spotlights in the pool. Made of acid proof stainless steel with a polished front. Supplied as a complete unit.

Cold and warm white are dimmable.

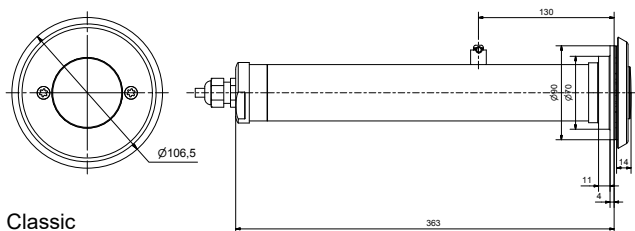


Spotlight LED

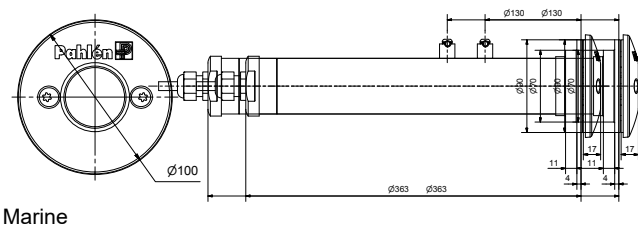
Item no.	Type	
125840	CA-6CW	Spotlight LED Classic 350, cold white
125841	CA-6WW	Spotlight LED Classic 350, warm white
125842	CA-10RGB	Spotlight LED Classic 350, RGB
124840	CA-6CW	Spotlight LED Marine 350, cold white
124841	CA-6WW	Spotlight LED Marine 350, warm white
124842	CA-10RGB	Spotlight LED Marine 350, RGB
822600	Concrete kit, waterproofing with membrane	

Features

- Polished front
- Acid proof stainless steel
- For fitting in pool walls, stairs etc
- For pools with liner
- For concrete/insulating blocks, length 350 mm
- Cold white, 6W, 600 Lumen, 5000 Kelvin, 116° angle
- Warm white, 6W, 540 Lumen, 3300 Kelvin, 116° angle
- Color RGB, 10W 400 Lumen, 116° angle
- 12V



Classic



Marine

Spotlight LED

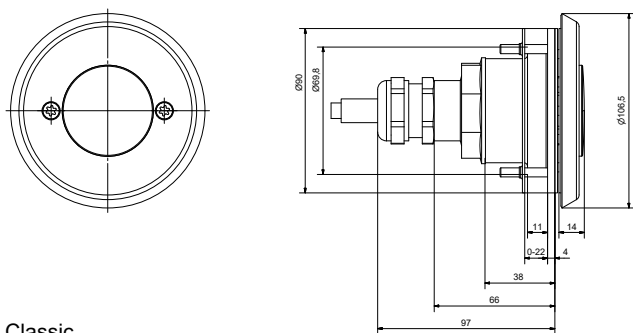
Item no.	Type	
125845	CA-6CW	Spotlight LED Classic, cold white
125846	CA-6WW	Spotlight LED Classic, warm white
125847	CA-10RGB	Spotlight LED Classic, RGB
124845	CA-6CW	Spotlight LED Marine, cold white
124846	CA-6WW	Spotlight LED Marine, warm white
124847	CA-10RGB	Spotlight LED Marine, RGB



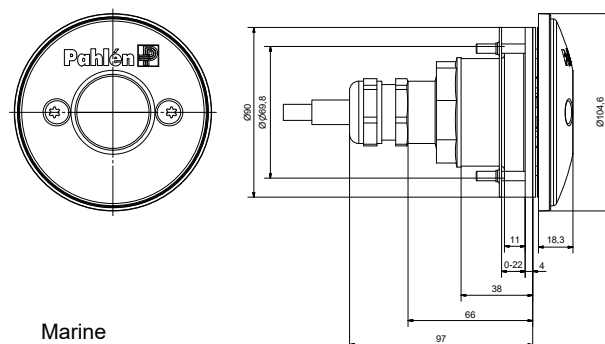
Classic



Marine



Classic



Marine



Cable conduit

Accessory. Protects the cable between the junction box and the lamp unit.

Item no.

- 12330 Protects the cable between the junction box and the lamp unit, length 900 mm.
- 12854 Jointing sleeve internal 3/4" PVC. For extension of cable conduit.



Safety transformer

Accessory. Transformer with built-in fuse.

Item no.

- 12340 Transformer 300W, 12/230V, IP54 with built-in fuse.
- 12273 Transformer 60W, 12/230V, IP54 with built-in fuse.



Junction box

Accessory. Stainless steel junction box for jointing between lights and transformer. Connection 3/4" for cable conduit. Sealing sleeve PG16.

Item no.

- 12310 Cable seal in the base, with attachment for cable conduit and connection block.



Niche fixtures

Accessory. Niche fixtures in stainless steel. Recommended for wall type concrete with liner. Recommended for concrete liner pools.

Item no.

- 112900 Niche fixtures, for lights and skimmers, set of 4.

Concrete kit

Accessory

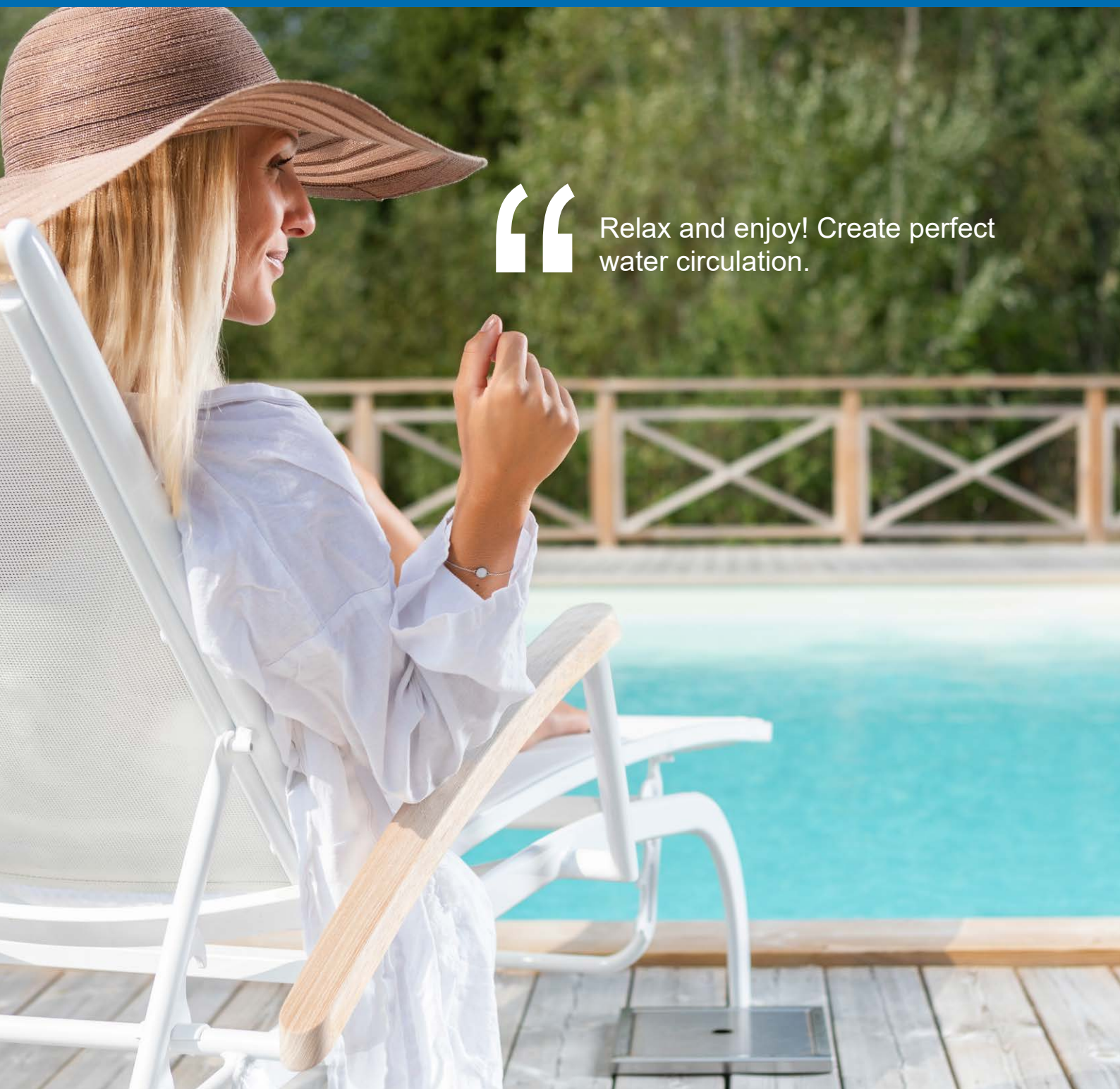
- 822610 For 300 light, waterproofing with membrane

For options to fibreglass/PP-plastic contact Pahlén AB for more information.

Due to **service** and **parts**, we recommend **Pahlén original accessory** only.



Pool equipment - Stainless steel for optimal quality



Relax and enjoy! Create perfect water circulation.

Create a beautiful pool with Pahlén Marine. An exclusive series of inlets, outlets and skimmers to match your wish for high quality and appearance standard. All Pahlén equipment for swimming pools comes out with polished stainless steel fronts.

Swimming pool equipment



Marine

Made of acid proof stainless steel.
Available with short neck, standard neck and extended neck.



Classic

Made of acid proof stainless steel.
Available with short neck, standard neck, extended neck and wide.



Wall and bottom outlets

Made of acid proof stainless steel.
Prevents stagnant water at the bottom of the pool.



Inlets

Made of acid proof stainless steel.
Distributes the waterflow and returns cleaned and heated water to the pool.



Wall inlet - Bottom inlets

Made of acid proof stainless steel.
The nozzle is secured by barbs inside the pipe.



Suction nozzles

Made of acid proof stainless steel.
Prevents the water from becoming stagnant.

Swimming pool equipment

Skimmer Marine

Water leaves the pool through the skimmer which increases the surface flow rate and moves surface debris into the skimmer. The debris are collected in a filter basket and the water flows on to the sand filter for particle cleaning.

Flow capacity max 12 m³/h.



Features

- Adjustable collar
- Acid proof stainless steel
- Large, high-capacity filter basket
- Connection for water level control
- Flap weir made of stainless steel
- Suitable for all liner pools
- Skimmers available with short neck, standard neck and extended neck

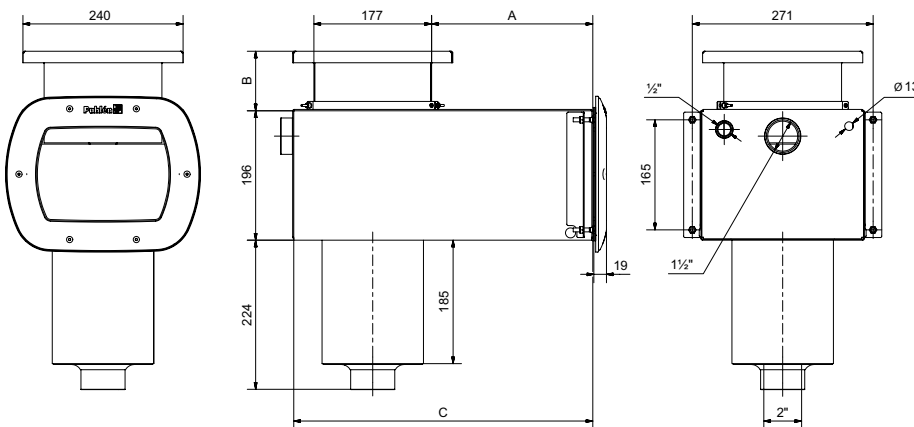
Short		Standard		Extended		Skimmer liner pool
Item no.	Type	Item no.	Type	Item no.	Type	
124971	CA-K	124981	CA-S	124991	CA-L	Complete with screws and gasket.
124978	CA-KNR	124988	CA-SNR	124998	CA-LNR	Same as above but with openings for water filling, overflow and cable bushing for water level control.
124700		124700		124700		Replacement kit for upgrading Classic skimmer to Marine (liner).

Fixture kit

Item no.

112900 Fixture kit, set of 4. Recommended for concrete pool with liner.

For options to fibreglass/PP-plastic contact Pahlén AB for more information.



Dimensions

Item no.	A	B	C
124971	60	30-120	270
124978	60	30-120	270
124981	240	30-120	450
124988	240	30-120	450
124991	440	30-120	650
124998	440	30-120	650

Type A

Type B



Skimmer grille

Skimmer grilles prevent large objects from entering the skimmer and for additional safety precautions. Applicable for liner pools and compatible with both new and existing Marine design skimmers.

Item no. Type

124705	A	Skimmer front mesh
124706	B	Skimmer front grille



Skimmer Classic

Water leaves the pool through the skimmer which increases the surface flow rate and moves surface debris into the skimmer. The debris are collected in a filter basket and the water flows on to the sand filter for particle cleaning.

Flow capacity max 12 m³/h.

Features

- Polished front
- Acid proof stainless steel
- Vertically adjustable collar
- Flap weir made of stainless steel
- Polished, pattern-rolled cover
- Equipped with large, high-capacity filter basket
- Connection for water level control

Short		Standard		Extended		Skimmer liner pool
Item no.	Type	Item no.	Type	Item no.	Type	
112971	CA-K	112981	CA-S	112991	CA-L	Complete with screws and gasket.
112978	CA-KNR	112988	CA-SNR	112998	CA-LNR	Same as above but with openings for water filling, overflow and cable bushing for water level control.

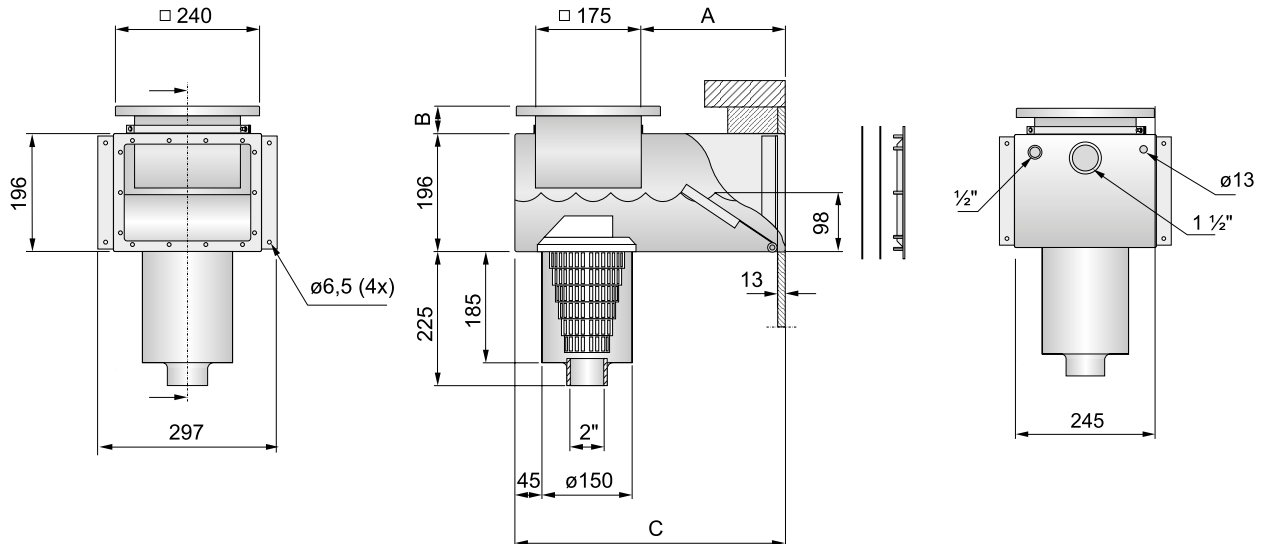
Fixture kit

Item no.	Description
112900	Fixture kit, set of 4. Recommended for concrete pool with liner.

For options to fibreglass/PP-plastic contact Pahlén AB for more information.

Dimensions

Item no.	A	B	C
112971	60	30-120	270
112978	60	30-120	270
112981	240	30-120	450
112988	240	30-120	450
112991	440	30-120	650
112998	440	30-120	650



Swimming pool equipment

Skimmer

Water leaves the pool via a skimmer, which makes the flow rate at the surface increase and moves particles on the water surface into the skimmer. For embedment in concrete pools with tile or mosaic.

These particles are collected in a filter basket. Made of acid proof stainless steel.

Flow capacity max 12 m³/h.



Concrete

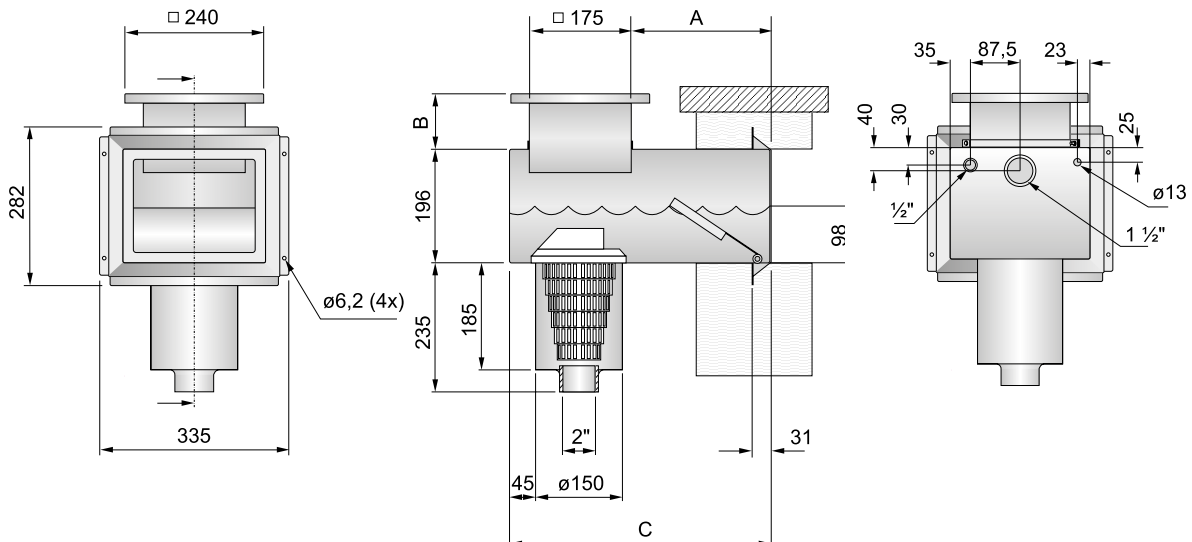
Features

- Acid proof stainless steel
- Vertically adjustable collar
- Flap weir made of stainless steel
- Polished, pattern-rolled cover
- Equipped with large, high-capacity filter basket
- Connection for water level control

Short		Standard		Extended		
Item no.	Type	Item no.	Type	Item no.	Type	
112972	A-K	112982	A-S	112992	A-L	Flange for embedment in concrete wall.
112979	A-KNR	112989	A-SNR	112999	A-LNR	Same as above but with openings for water filling, overflow and cable bushing for water level control.

Dimensions

Item no.	A	B	C
112972	60	30-120	270
112979	60	30-120	270
112982	240	30-120	450
112989	240	30-120	450
112992	440	30-120	650
112999	440	30-120	650





Classic Wide/Wide6° 385

Open wide skimmer in an exclusive design. Classic Wide 385 gives high water level with efficient extraction of debris and circulation for liner swimming pools.

Classic Wide 6° 385 is especially developed for fibreglass-/PP pools with 6 degree angle walls.

Flow capacity max 12 m³/h.

Features

- Acid proof stainless steel
- Vertically adjustable collar 30-70 mm
- Polished front
- Opening: 385 x 92 mm
- Flap weir made of stainless steel
- Filtration outlet internal thread 2"
- Overflow outlet internal thread 1 1/2"
- Water refill inlet internal thread 1/2"
- Connection for water level control Ø 13 mm
- Large, high-capacity strainer basket
- Suitable for fibreglass-/PP pool with 6 degree angle walls

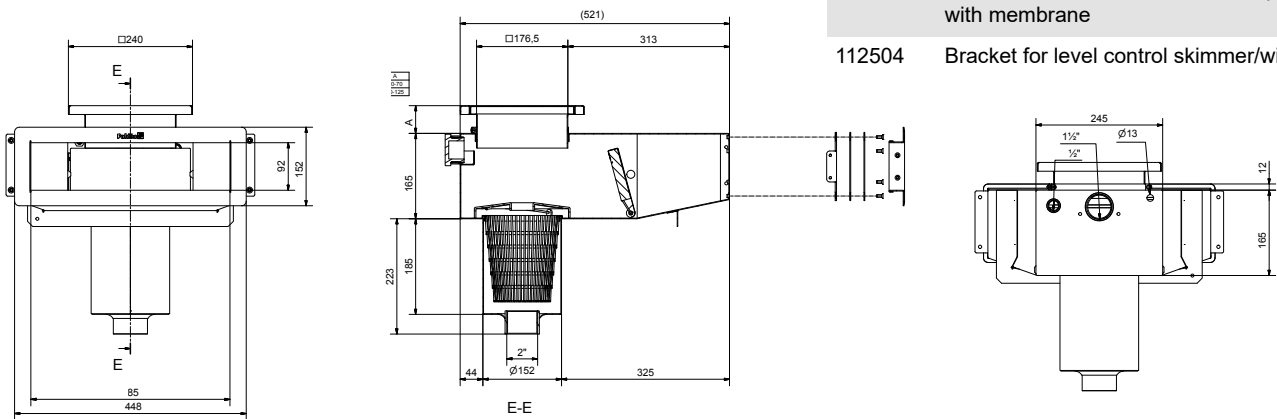
Item no. Type

112970	CA-SW	Skimmer Classic Wide 385
112960	CA-SW6	Skimmer Classic Wide 6° 385

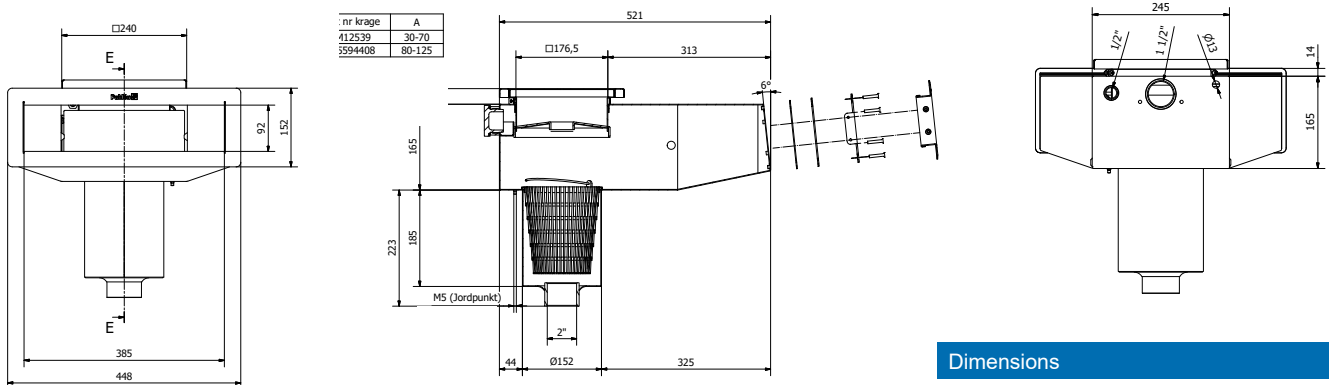
Accessory

Item no.

822620	Concrete-kit skimmer WIDE waterproofing with membrane
112504	Bracket for level control skimmer/wide



Item no. 112970



Item no. 112960

Dimensions

A 30-70 mm

Swimming pool equipment



Water level control

Tops up the water level automatically when it gets too low in the pool. Can be installed in all types of pools, spas, ponds etc.

Programmable refilling time and equipped with warning light.

Item no.

11250	Electronic level control incl. sensor. Built-in safety device with programmable refilling time for solenoid valve.
112501	Solenoid valve 1/2", soft closing.
112503	Cover made of stainless steel for level control.
112505	Non leak flange for cable of level control.
112504	Bracket for level control skimmer/wide



Solenoid valve



Cover



Non leak flange

Features

- Automatic water filling
- Adjustable water filling time
- Equipped with red warning light
- Suitable for all types of pool

Alerts if the water level is too low and refills when needed.





Wall and bottom outlet

Made of acid proof stainless steel. For deeper swimming pools it is a good idea to install a bottom outlet to prevent stagnant water at the bottom of the pool. Can also be used as outlet for water curtain or massage nozzle. Can be mounted in the wall or in the bottom of the pool.

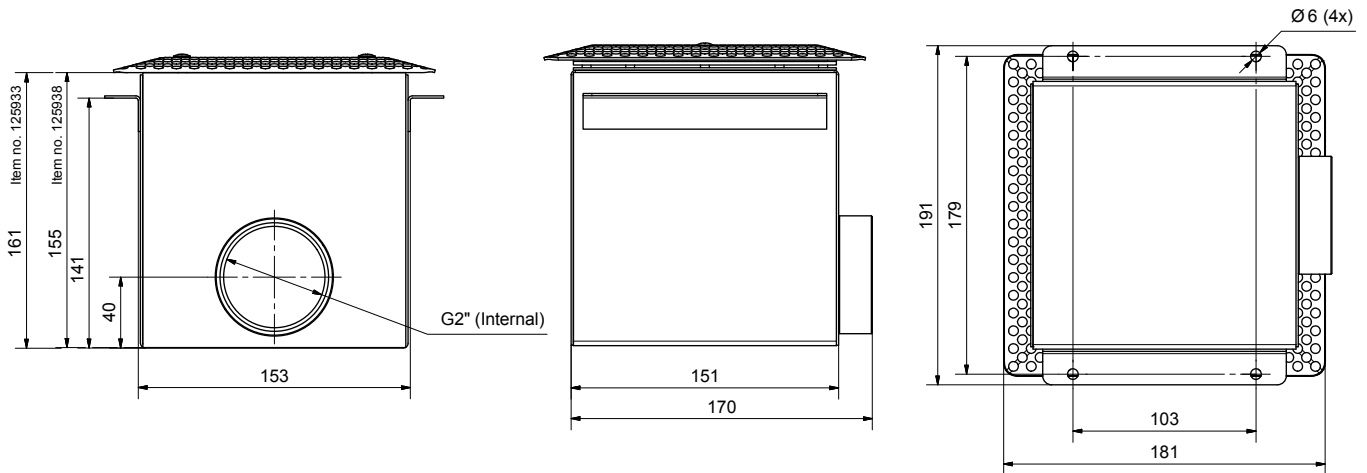
Recommended flow capacity max 20 m³/h.

Features

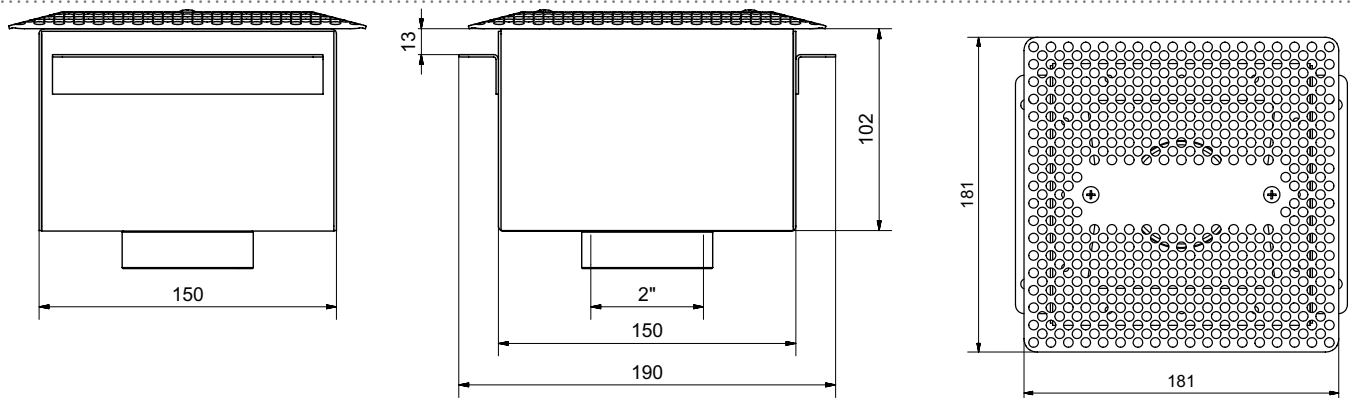
- Polished front grating
- Acid proof stainless steel
- Suitable for all types of pools

Item no.	Type (side)	Item no.	Type (bottom)	
125933	CA-WBS	125931	CA-WBB	For liner pools. Complete with flange, rubber gasket and screws. The polished grate is detachable with two screws.
125938	A-WBS	125936	A-WBB	For concrete pools. With flanges for embedding in the concrete floor. The polished grate is detachable with two screws.
126751	NLF-20	Non leak flange. Acid proof stainless steel, with sealing flange. Inside and outside thread 2". Length 600 mm.		
121952	Non leak flange. Acid proof stainless steel, with sealing flange. Outside thread 2". Length 250 mm.			

For options to fibreglass/PP-plastic contact Pahlén AB for more information.



Item no. 125933, 125938



Item no. 125931, 125936

Swimming pool equipment

Inlet Marine

A round, compact and elegant inlet with a polished front. Depending on the size of the pool, you will need two or more inlets that effectively distributes the waterflow and returns cleaned and heated water to the pool. Made of bronze and acid proof stainless steel.

Recommended flow capacity max 6 m³/h.

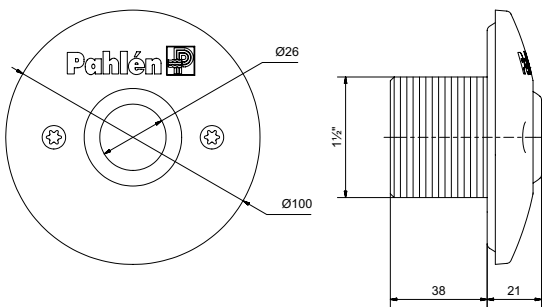


Item no. Type

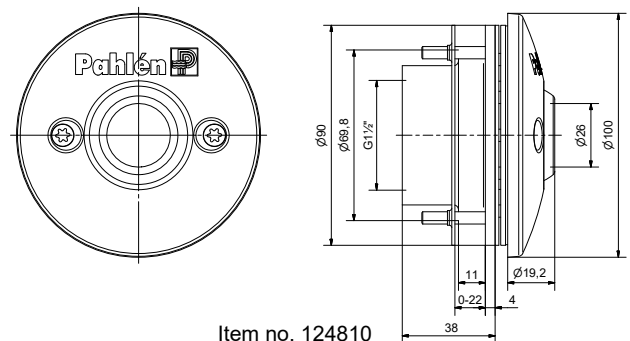
124810	CA	For liner pools. With screws and rubber gasket.
124505	A	For concrete pools. Acid proof stainless steel.

Features

- Acid proof stainless steel and bronze
- Adjustable nozzle Ø 26 mm
- Suitable for all types of swimming pools



Item no. 124505



Item no. 124810

Inlet Marine 350

Complete inlet with casting tube, including screws, flange and rubber gasket.

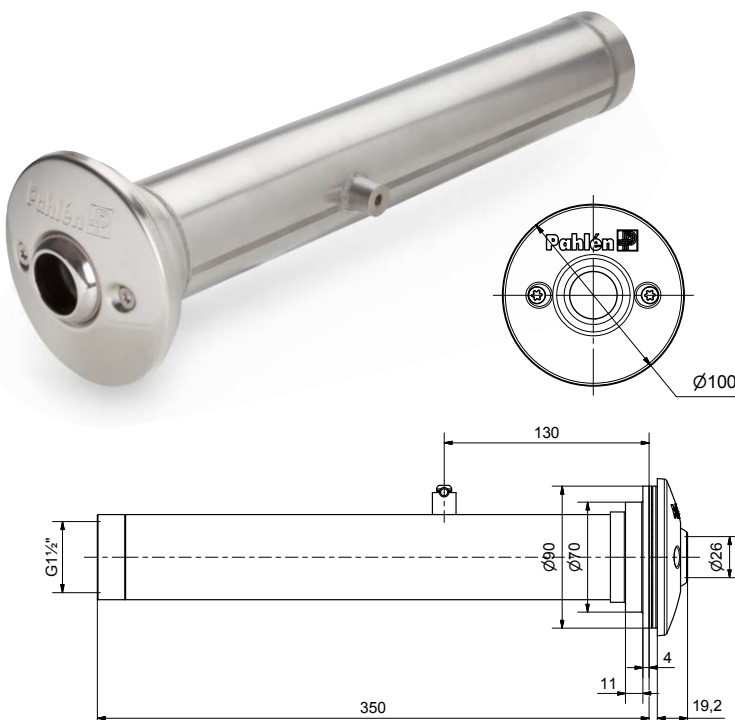
Recommended flow capacity max 6 m³/h.

Item no. Type

124815	CA	Marine, concrete/liner
--------	----	------------------------

Features

- All stainless steel
- Internal thread 1 1/2"
- Adjustable jet nozzles Ø 26 mm.
- For concrete/insulating blocks, length 350 mm



Accessory

Item no. Type

822600	Concrete kit, waterproofing with membrane
--------	---

Inlet Classic

The water returns to the pool cleaned and heated via the inlets. These can be directed slightly upwards to facilitate cleaning of the surface water. Made of bronze with front of acid proof stainless steel.

Recommended flow capacity max 6 m³/h.



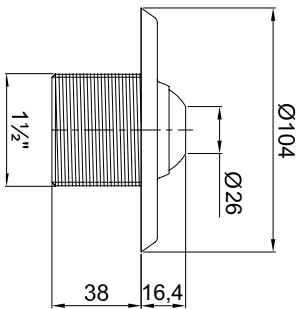
Item no. Type

125810	CA	For liner pools. With screws and rubber gasket.
126090	A	For concrete pools. Acid proof stainless steel.

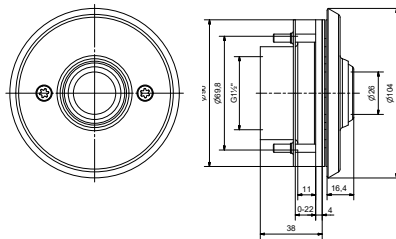
Features

- Acid proof stainless steel, polished front
- Adjustable nozzle Ø 26 mm
- Suitable for all types of pools

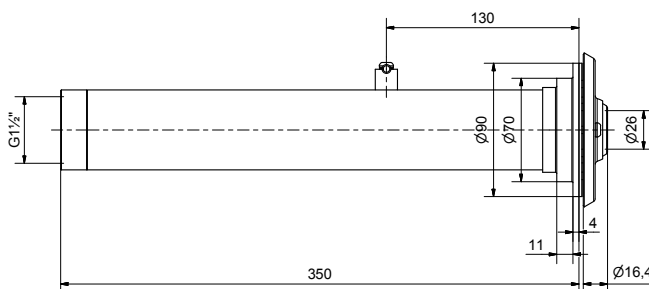
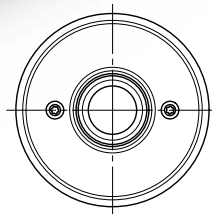
For options to fibreglass/PP-plastic contact Pahlén AB for more information.



Item no. 126090



Item no. 125810



Inlet Classic 350

Complete inlet with casting tube, including screws, flange and rubber gasket.

Recommended flow capacity max 6 m³/h.

Item no. Type

125815	CA	Classic, concrete/liner
--------	----	-------------------------

Features

- All stainless steel
- Internal thread 1 1/2"
- Adjustable jet nozzles Ø 26 mm.
- For concrete/insulating blocks, length 350 mm

Accessory

Item no. Type

822600	Concrete kit, waterproofing with membrane
--------	---

Swimming pool equipment



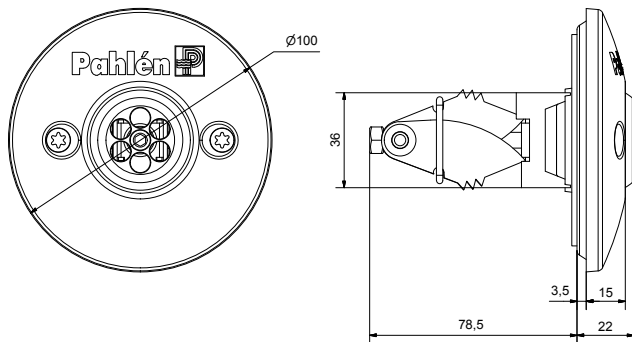
Inlet anchoring bracket Marine

Wall inlets are designed for mounting onto the end of a molded PVC pipe, PN10/16 with an outer diameter \varnothing 50 or \varnothing 63. The nozzle is secured by barbs inside the pipe. The pools flow can be directed by turning the ball in the desired direction.

Recommended flow capacity max 10 m³/h.

Features

- Anchoring bracket
- Adjustable nozzle mesh \varnothing 7 mm
- For mounting in a concrete pool with casting pipes
- Acid-proof stainless steel
- PVC pipe PN10/16 with an outer diameter of \varnothing 50 or \varnothing 63 mm



Item no.	Type
----------	------

126102	A Marine inlet anchoring bracket
--------	----------------------------------



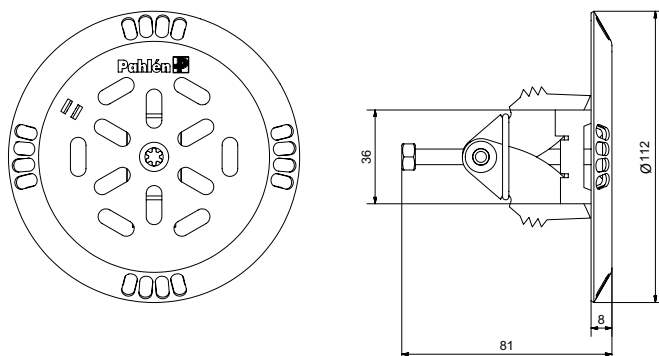
Bottom inlet anchoring bracket

A bottom inlet designed for mounting onto the end of a molded PVC pipe, PN10/16 with an outer diameter \varnothing 50 or \varnothing 63. The nozzle is secured by barbs inside the pipe. The flow can be regulated in eight different positions on the front of the inlet.

Recommended flow capacity max 15 m³/h.

Features

- Anchoring bracket
- Adjustable flow
- For mounting in a concrete pool with casting pipes
- Acid-proof stainless steel
- PVC pipe PN10/16 with an outer diameter of \varnothing 50 or \varnothing 63 mm



Item no.	Type
----------	------

126110	A With anchoring bracket
--------	--------------------------

Bottom inlet nozzle

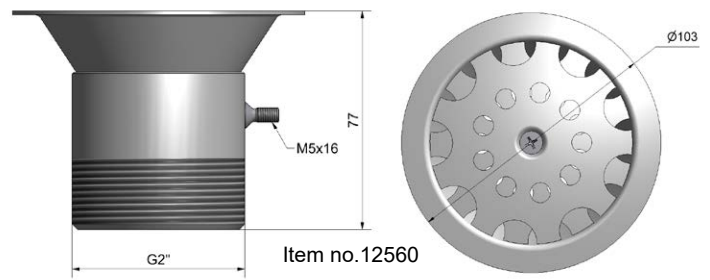
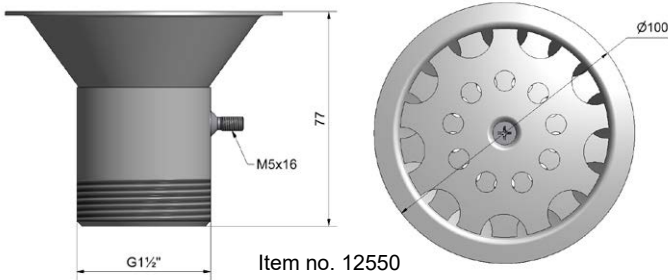
Made of acid proof stainless steel with polished adjustable front. Recommended for larger pools and public facilities. Placed in the bottom of the pool to ensure the water keeps circulating. Suitable for concrete pools.

12550 Recommended flow capacity max 6 m³/h.
12560 Recommended flow capacity max 8 m³/h.

Item no.	Type	
12550	A-1	Adjustable for different flows. Outside thread 1 1/2". For concrete pools.
12560	A-2	As above but with outside thread 2".

Features

- Polished front
- Acid proof stainless steel
- Adjustable water flow
- Suitable for concrete pools



Bottom inlet

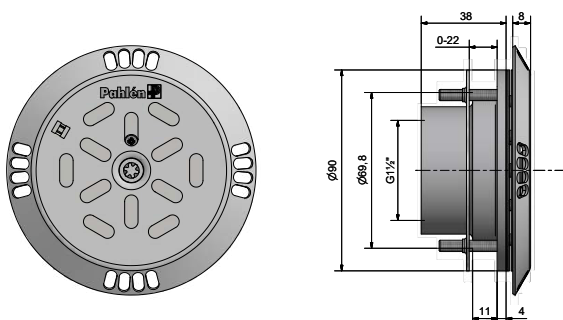
The flow is easily adjusted by turning the upper and lower washer in relation to each other to the desired fixed position before tightening the screws. Eight different positions can be obtained. Made of acid proof stainless steel. Suitable for liner pools.

Max. flow Max 250 l/min (15m³/h)
Pipe connection G1 1/2 internal thread

Item no.	Type	
126120	CA	Adjustable for different flows. For liner pools.

Features

- Polished front
- Acid proof stainless steel
- Adjustable water flow
- Suitable for liner pools
- 8 different flow settings
- Meets the requirements of pool standard EN 16713-3



Swimming pool equipment

Suction nozzle Classic

A suction nozzle is recommended near the bottom of the pool to prevent the water from becoming stagnant.

Recommended flow capacity max 2 m³/h.



Item no. 125820

Item no. Type

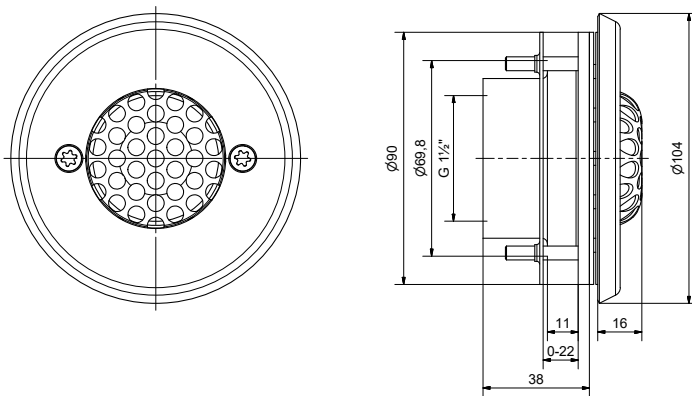
125820	CA	Bronze, front with acid proof stainless steel, screws and rubber gasket. Grille opening. Inside thread 1 1/2". For liner pools.
12650	A	Acid proof stainless steel. Grille opening. Outside thread 1 1/2". For concrete pools.
125825	CA	Suction nozzle Classic 350. Acid proof stainless steel. Inside thread 1 1/2". For concrete and liner pools.

Accessory

Item no.

822600	Concrete kit waterproofing with membrane
--------	--

For options to fibreglass/PP-plastic contact Pahlén AB for more information.

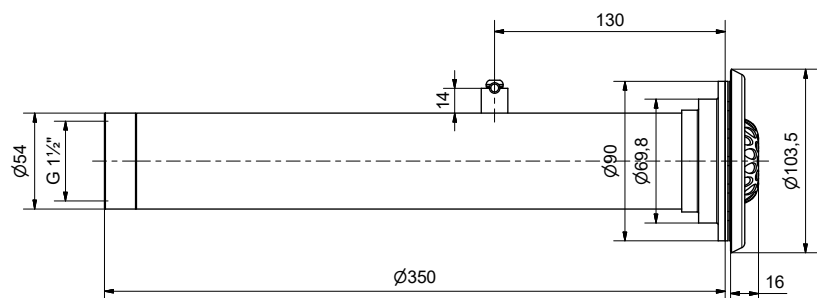
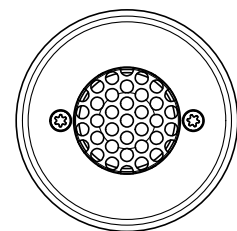


Features

- Polished front
- Acid proof stainless steel
- Suitable for all types of pools



Item no. 125825





Item no. 125830

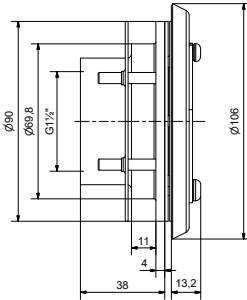
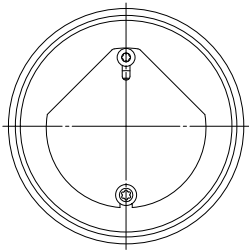
Vacuum hose connection Classic

Made of bronze, front with acid proof stainless steel. If the pool is equipped with an overflow, a vacuum hose connection is used for the vacuum hose during cleaning of your pool.

Item no.	Type	Description
125830	CAA	Acid proof stainless steel. For concrete and liner pools. Inside thread 1 1/2".
125835	CA	Classic 350. Acid proof stainless steel. For concrete and liner pools. Inside thread 1 1/2".

Features

- Polished front
- Acid proof stainless steel
- Suitable for all types of pools
- Suction nozzle with cover equipped with turning cover



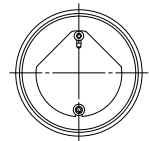
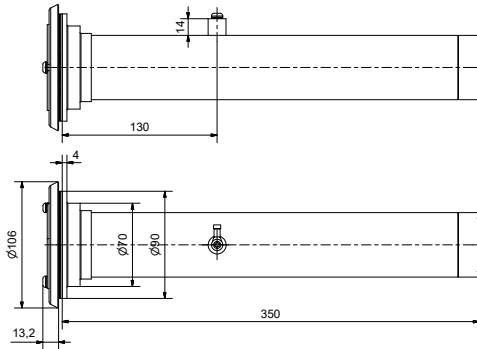
Item no. 125835

Accessory

Item no.

822600 Concrete kit waterproofing with membrane

For options to fibreglass/PP-plastic contact Pahlén AB for more information.



Non leak flange

Non leak flange in acid proof stainless steel. For inlets and suction nozzles in concrete walls.

Accessory for concrete pools

Item no.	Type	Description
12670	NLF290	With sealing flange. Inside and outside thread 1 1/2". Length 290 mm.
12675	NLF600	As above but with length 600 mm.
12640	NLF255	With sealing flange. Inside thread 1 1/2". Length 255 mm.
126751	NLF600	With sealing flange. Inside and outside thread 2". Length 600 mm.
121952	NLF250	With sealing flange. Inside and outside thread 2". Length 250 mm.



Pahlén AB

Box 728, 194 27 Upplands Väsby, Sweden
Email: info@pahlen.se, www.pahlen.com

We do not accept liability for printing errors.
We reserve the right to make changes to specification and product range.
Colour deviation may occur due to restrictions in the printing process.