

Water attractions

Exclusive and powerful counter-current units and Jet Massage for your well-being.



Products from Pahlén Pool System,
for a trouble-free pool ownership.

For more information: www.pahlen.com



Made in Sweden



Jet Swim Athlete

A modern and minimalistic design utilizing a balanced water flow for your personal swim training needs. Jet Swim Athlete uses the same new flow technique with two oval nozzles, as Jet Swim Motion, launched last year. The lower nozzle is directed downwards for lifting the lower body to provide a more natural swimming experience. With a powerful capacity, you can easily improve your swim technique and physical fitness.

Jet Swim Athlete is mainly made of acid-proof stainless steel EN 1.4404 and fulfills European Pool standards EN16582 and EN16713.

The pump is made of bronze with a 4,0 kW IE3 motor which complies with the European ECO-design directive and is also third part approved for Electric Safety by Intertek according to International IEC and European EN Standard IEC/EN 60335.

All components are the unit is designed with focus on durability and sustainability.

With a motor power of 4.0 kW and with jet streams of 68 m³/h, you can easily exercise your strength and physical fitness. Jet Swim Athlete is started by pressing a pneumatic pushbutton on the front. The wide angled oval nozzles allow comfortable swimming and training.

Jet Swim Athlete

1302100	Jet Swim Athlete
1302130	Assembly kit Jet Swim Athlete concrete
1302185	Jet Swim Athlete Pump 50Hz
1302185HZ	Jet Swim Athlete Pump 60Hz
1302090	Jet Swim 2000/Athlete Control box 400/3~
33045	Jet Swim Athlete steel / liner complete unit
33046	Jet Swim Athlete concrete / liner complete unit

A complete Jet Swim Athlete consists of a jet unit, assembly kit, pump and control box. **Valves are not included!**

For options to fiberglass/PP-plastic pools contact Pahlén AB for more information.

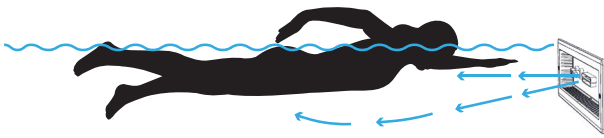
Features

- Stainless steel front EN 1.4404
- New flow technology with two oval nozzles
- Adjustable water flow
- Modern and minimalistic design
- Pneumatic start button
- Meets the requirements of pool standards
- EN16582 and EN16713
- Bronze pump with high quality motor (class IE3)

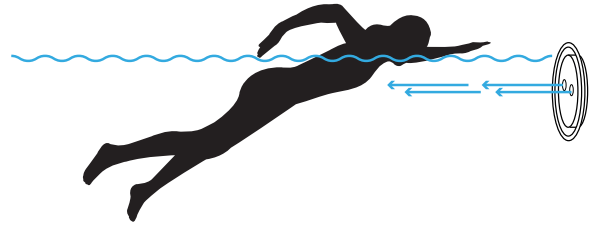


= Meets requirements of pool standard EN16582 and EN16713

Jet Swim Athlete

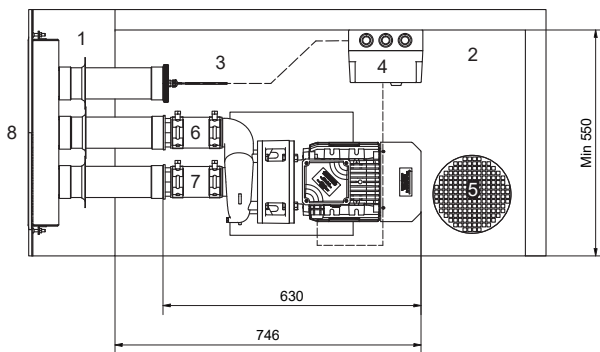
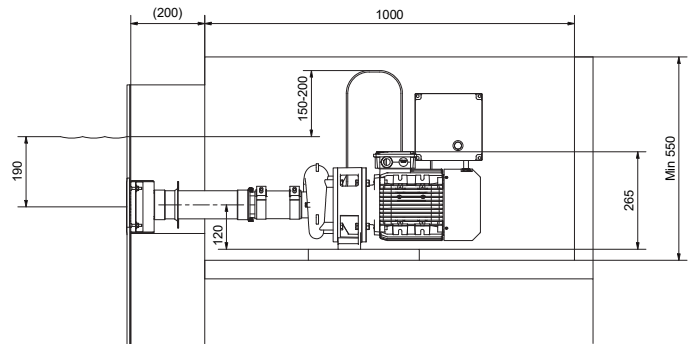
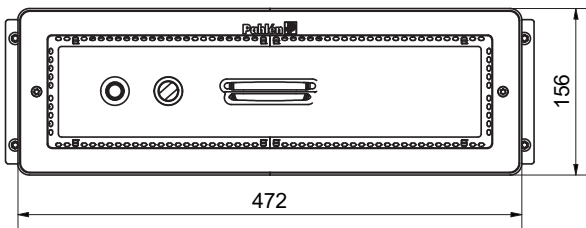


Other counter current unit



Technical data

Type	Motor	Voltage, 50Hz	Ampere 230/400	Pump capacity	Pipe connection	Materials
Athlete	4,0 kW	230/400 V	13,9/8,0 A	68 m ³ /h	2½"	PC/stainless steel



- 1. Pool wall
- 2. Engine room
- 3. Starter hose
- 4. Control box
- 5. Drain
- 6. Pressure
- 7. Suction
- 8. Front

Water attractions



Jet Swim 2000

An exclusive counter current unit with many different settings. With a motor capacity of 4,0kW and jet streams of 71 m³/h it is easy for you to build up your strength and physical fitness. Start your Jet Swim by pressing a pneumatic button on the front. The air flow that is mixed with the jet streams, is adjusted by turning the air knob on the front. It is just as simple to adjust the water flow.

Jet Swim 2000 is also available in 3-phase 230V/50Hz or 460V/60Hz. Contact Pahlén AB for information.

Jet Swim 2000		Type of pool				Pool shape		
Item no.	Type	Wood/plastic/ steel with liner	Concrete liner	Concrete pool without liner	Fibreglass/ PP-plastic	Infinity	Free form	Rectan- gular
33030	Jet Swim complete unit			x		x	x	x
33029	Jet Swim complete unit		x			x	x	x
33028	Jet Swim complete unit	x				x	x	x
1302000	Jet Swim unit	x	x	x	x	x	x	x
1302005*	Jet Swim unit for pool cover	x	x	x	x	x	x	x
1302010	Assembly kit	x			x	x	x	x
1302020	Assembly kit		x			x	x	x
1302030	Assembly kit			x		x	x	x
1302080	Pump	x	x	x	x	x	x	x
1302090	Control box 400/3~	x	x	x	x	x	x	x

A complete Jet Swim consists of jet unit, assembly kit, pump and control box.
For options to fibreglass/PP-plastic pools contact Pahlén AB for more information.

*For floating pool cover.

 = Meets requirements of pool standard EN16582, EN13451 and EN16713

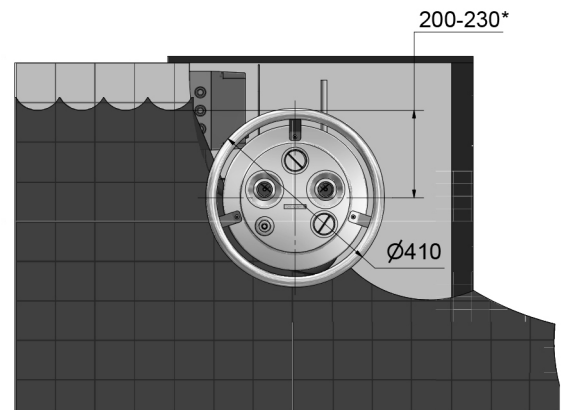
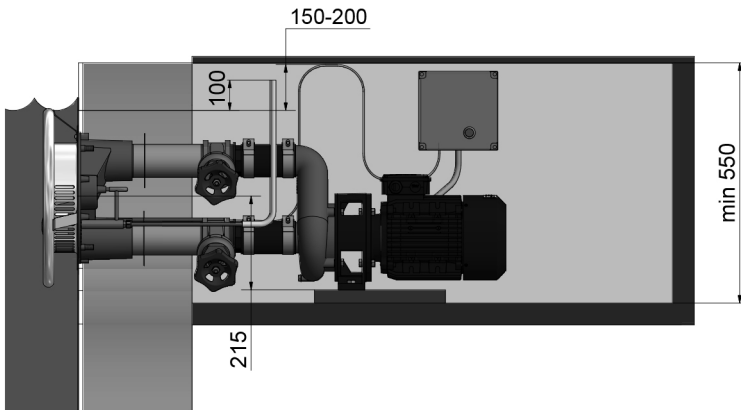
Technical data

Type	Motor	Voltage, 50Hz	Ampere 230/400	Pump capacity	Pipe connection	Materials
2000	4,0 kW	230/400 V	13,9/8,0 A	71 m ³ /h	2 ½"	Bronze/stainless steel

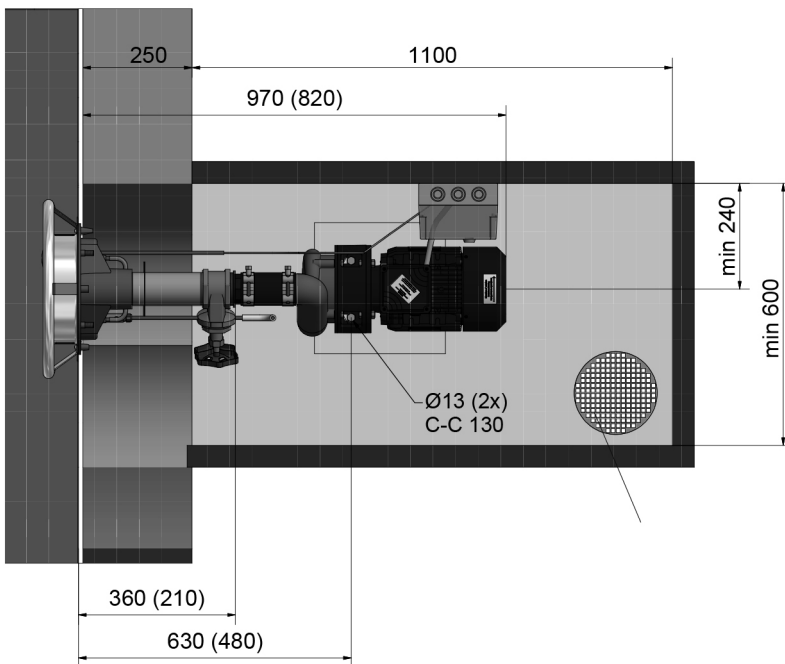
Features

- Bronze and acid proof stainless steel
- Jet streams at 71 m³/h
- Adjustable water flow
- Adjustable setting of the air mixture
- Polished stainless steel front
- High-quality motor IE3
- Meets requirements of pool standard EN13451, EN16582, EN16713

Front ring with cutted edge.
Included in item no. 1302005



All dimensions in mm. Dimensions within brackets refers to mounting kit item.nr 1302010.





Jet Swim 1200

With a motor capacity of 2.2kW and jet stream of 46 m³/h it is easy for you to train your swimming technique and build up your physical fitness. Start your Jet Swim by pressing a pneumatic button on the front.

The jet stream are varied in power by rotating the turnable front. Resistance can be changed in three different steps, two for the jet stream and one for the air mixture.

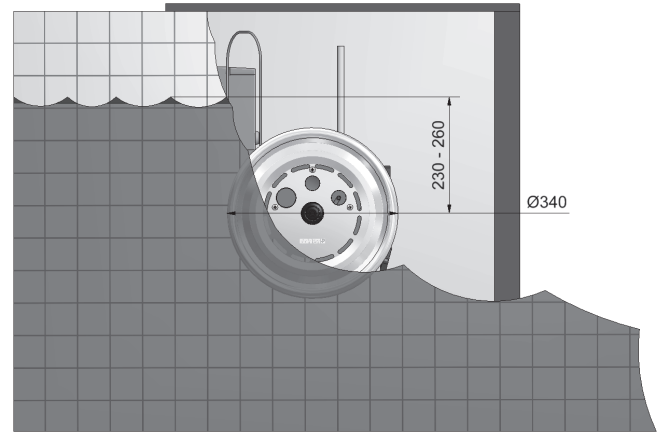
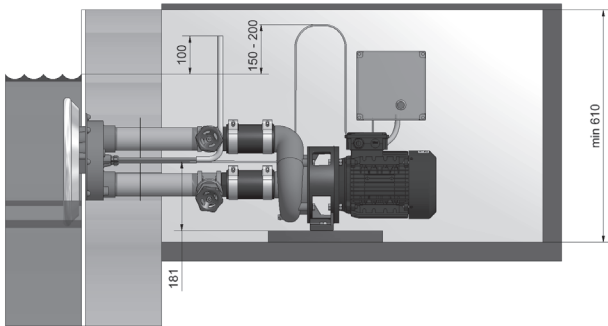
Jet Swim 1200 is also available in 3-phase 230V/50Hz or 460V/60Hz. Contact Pahlén AB for information.

Item no.	Type	Type of pool				Pool shape		
		Wood/plastic/ steel with liner	Concrete liner	Concrete pool without liner	Fibreglass/ PP-plastic	Infinity	Free form	Rectangular
33027	Jet Swim complete unit			x		x	x	x
33026	Jet Swim complete unit		x			x	x	x
33025	Jet Swim complete unit	x				x	x	x
1301200	Jet Swim unit	x	x	x		x	x	x
1301210	Assembly kit	x				x	x	x
1301220	Assembly kit		x			x	x	x
1301230	Assembly kit			x		x	x	x
1301280	Pump	x	x	x		x	x	x
1301290	Control box 400/3~	x	x	x		x	x	x

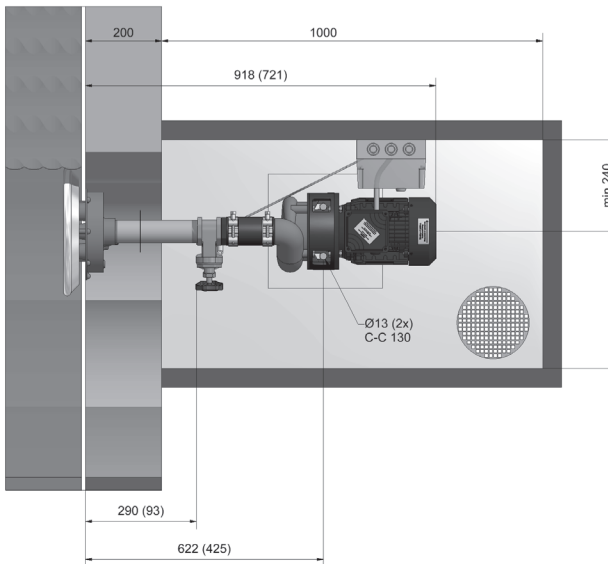
A complete Jet Swim consists of jet unit, assembly kit, pump and control box.

Technical data

Type	Motor	Voltage, 50Hz	Power, 230/400	Pump capacity	Pipe connection	Materials
1200	2.2 kW	230/400 V	8.0/4.6 A	46 m ³ /h	2"	Bronze/stainless steel



All dimensions in mm. Dimensions within brackets refers to mounting kit item.nr 1301210.



Features

- Bronze and acid proof stainless steel
- Jet stream at 46 m³/h
- Adjustable water flow
- Adjustable setting of the air mixture
- Polished stainless steel front
- High-quality motor IE3

Water attractions



Jet Swim Motion

Jet Swim Motion is made of acid-proof stainless steel EN 1.4404 and has a completely new flow technique with two oval nozzles, of which the lower is directed downward for a more even distribution of the streams. This provides a much more natural swimming technique compared to most counter-current units available on the market.

With a motor power of 2.2 kW and with jet streams of 46 m³/h, you can easily exercise your strength and physical fitness. Jet Swim Motion is started by pressing a pushbutton on the front. The air mixture in the jet streams are adjusted seamlessly in order to suit your personal requirements. In its modern minimalistic design, a discreet handle is hidden and integrated in the front.

Jet Swim Motion is available in both Classic and Marine design and meets the requirements for the pool standard EN16582 and EN16713.

Jet Swim Motion		Type of pool			
Item no.	Type	Wood/plastic/ steel with liner	Concrete liner	Concrete pool without liner	Fibreglass/ PP-plastic
33041	Complete unit - Classic	x			x
33042	Complete unit - Classic		x	x	
33043	Complete unit - Marine	x			x
33044	Complete unit - Marine		x	x	
1301300	Motion Classic unit	x	x	x	x
1301305	Motion Marine unit	x	x	x	x
1301310	Assembly kit	x			x
1301320	Assembly kit		x	x	
1301285	Jet Swim Pump 2.2kW 50Hz	x	x	x	x
1301390	Control box 400/3~	x	x	x	x
1301315	**Mounting kit fibreglass				

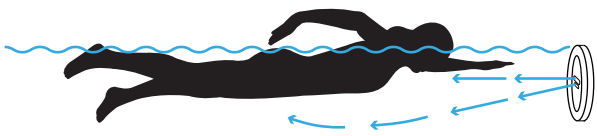
A complete Jet Swim Motion consists of jet unit, assembly kit, pump and control box.

** Mounting kit suitable for mono-block pools made in fibreglass, PP or stainless steel with zero degree wall angle and wall thickness 6-20 mm.

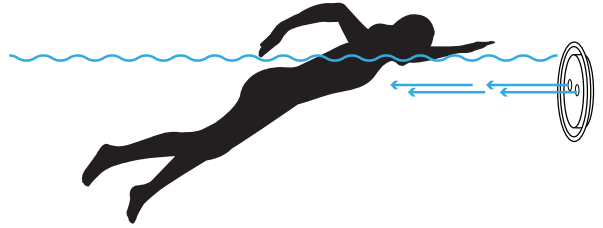


= Meets requirements of pool standard EN16582 and EN16713

Jet Swim Motion

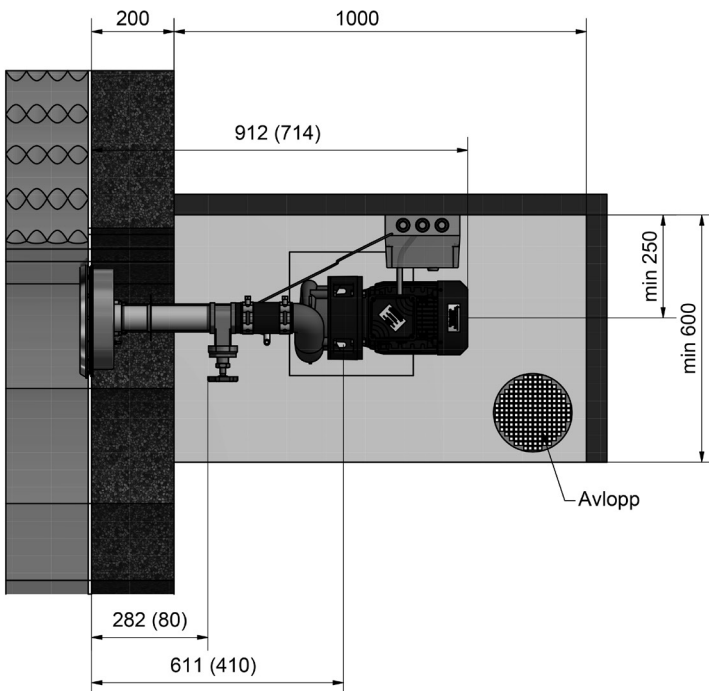
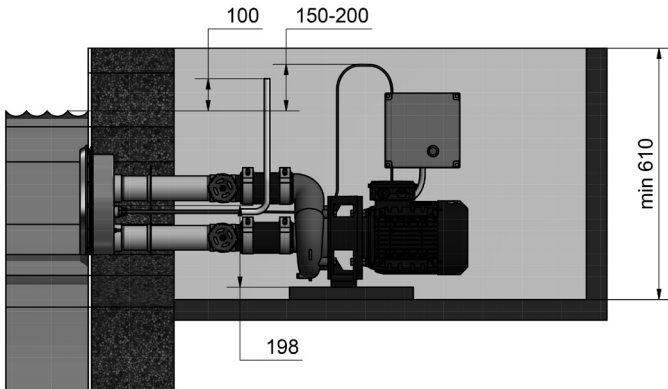


Other counter-current unit



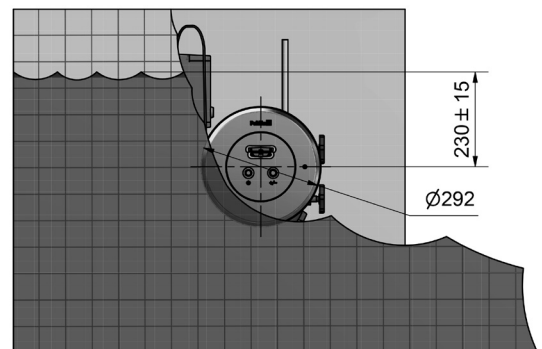
Technical data

Type	Motor	Voltage, 50Hz	Ampere 230/400	Pump capacity	Pipe connection	Materials
Motion	2.2 kW	230/400 V	8,0/4,6 A	46 m ³ /h	2"	PC/stainless steel



Features

- New flow technology with two oval nozzles
- Adjustable air mixture
- Modern and minimalistic design
- Integrated handle
- Pneumatic starting button
- Meets the requirements for pool standards
- High-quality motor IE3



Water attractions



Jet Massage

Jet Massage consists of a standalone inlet, outlet and start button that combines as desired and up to 6 nozzles. All nozzles are made of acid-proof stainless steel EN1.4404 and are available in both Marine and Classic designs. The massage station can be controlled with a Pahlén circulation pump (e.g. FloVISE or P2000) and Pahlén control box.

Recommended flow capacity max 8-10 m³/h per nozzle.

Item no.	Type	Wood/plastic/steel with liner		Concrete liner	Pipe connection
		Standard	350		
13005571	Start button Classic 350			x	
13005570	Massage Soft Classic 350			x	Ø50mm
13005572	Massage Medium Classic 350			x	Ø50mm
13005561	Start button Classic	x			
13005560	Massage Soft Classic	x			Ø50mm
13005562	Massage Medium Classic	x			Ø50mm
13005551	Start button Marine 350			x	
13005550	Massage Soft Marine 350			x	Ø50mm
13005552	Massage Medium Marine 350			x	Ø50mm
13005541	Start button Marine	x			
13005540	Massage Soft Marine	x			Ø50mm
13005542	Massage Medium Marine	x			Ø50mm

For options to fiberglass/PP-plastic pools contact Pahlén AB for more information.

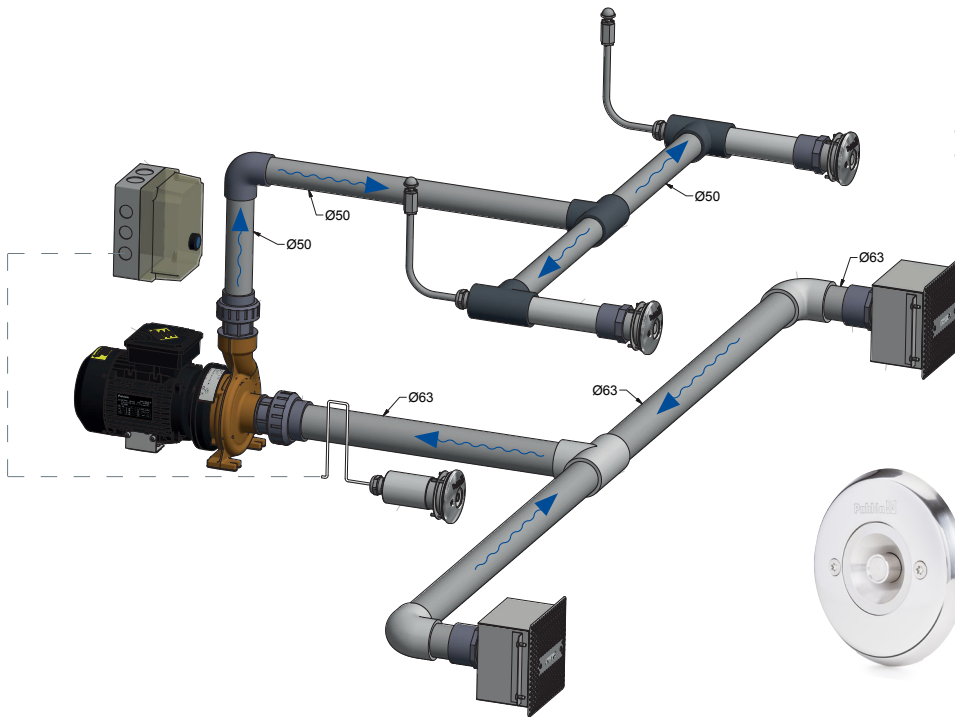
Features

- 2 nozzles soft and medium
- Combine as desired and up to 6 nozzles
- Both for private pools and public facilities
- Available in both Classic and Marine design
- Meets the requirements of pool standard EN13451, EN16582, EN16713

Accessories

Item no.

636200	Massage nozzle Soft as option
636201	Massage nozzle Medium as option



Picture shows an example of an installation with two nozzles. Jet Massage can be varied with 1, 2, 4 or 6 nozzles.

Massage station configurations

Complete Jet Massage consists of 1-6 massage nozzles, a start button, at least 2 outlets, a separate circulation pump, a control box, connections and pipes.

The number of massage nozzles governs the size of the pump and the number of outlets.

Number of massage nozzles	Number of outlets	Pump
1	2	FloVISE 0,55 kW
2	2	FloVISE 1,1 kW
4	3	P2000 2,2 kW
6	4	P2000 4,0 kW

Jet massage unit configurations

When ordering Jet Massage units according to configurations above, use item no. as in example shown below.

Example of item no:	A	B	C
Marine design = 36	350 = 2	Soft = 0	No. of nozzles 1, 2, 4, 6
Classic design = 35	Standard = 0	Medium = 1	
36ABC	362BC	3620C	36204
35ABC	350BC	3501C	35012



Pahlén AB

Box 728, 194 27 Upplands Väsby, Sweden
Email: info@pahlen.se, www.pahlen.com

We do not accept liability for printing errors.

We reserve the right to make changes to specification and product range.
Colour deviation may occur due to restrictions in the printing process.