



Athlete, your  
**personal  
trainer  
in the pool**

# Jet Swim Athlete

Well-balanced water flows makes swimming training efficient and pleasant

- Stainless steel front AISI 316L
- New flow technology with two oval nozzles
- Adjustable water flow
- Modern and minimalistic design
- Pneumatic start button
- Meets the requirements of pool standard EN 16582 and EN 16713
- Bronze pump with highly efficient pump (class IE3)



Products from Pahlén Pool System, for a trouble-free pool ownership.

For more information: [www.pahlen.com](http://www.pahlen.com)



# Revolutionary Natural Swimming Sensation!

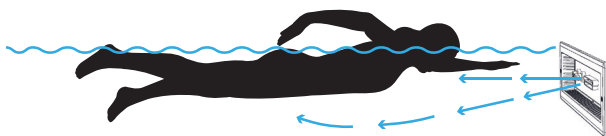
A modern and minimalistic design utilizing a balanced water flow for your personal swim training needs. Jet Swim Athlete uses the same new flow technique with two oval nozzles, as Jet Swim Motion, launched last year. The lower nozzle is directed downwards for lifting the lower body to provide a more natural swimming experience. With a powerful capacity, you can easily improve your swim technique and physical fitness.

Jet Swim Athlete is mainly made of acid-proof stainless steel AISI 316L and fulfills European Pool standards EN 16582 and EN 16713.

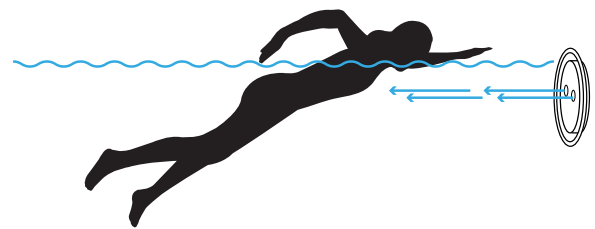
The pump is made of bronze with a 4,0 kW IE3 motor which fulfills European ECO-design directive and also third part approved for Electric Safety by Intertek according to International IEC and European EN Standard IEC/EN 60335.

All components in the unit is designed with focus on durability and sustainability.

Jet Swim Athlete



Other counter current unit

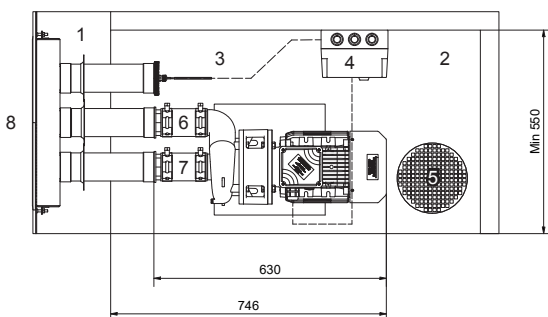
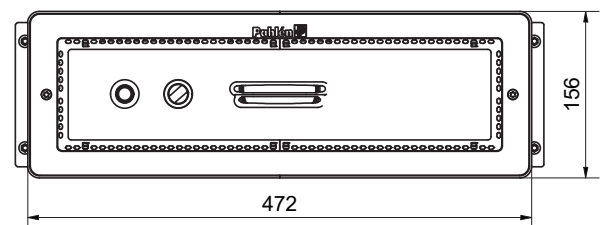


With a motor power of 4.0 kW and with jet streams of 68 m<sup>3</sup>/h, you can easily exercise your strength and physical fitness. Jet Swim Athlete is started by pressing a pneumatic pushbutton on the front. The jet streams are positioned seamlessly in order to suit your personal needs.

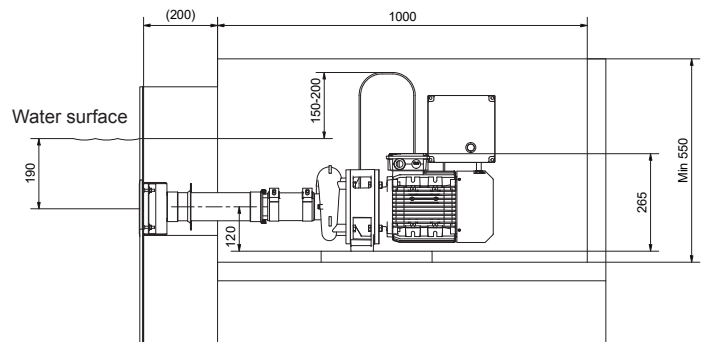
Technical data						
Type	Motor	Voltage, 50Hz	Ampere 230/400	Pump capacity	Pipe connection	Materials
Athlete	4,0 kW	230/400 V	13,9/8,0 A	68 m <sup>3</sup> /h	2½"	PC/stainless steel


A complete Jet Swim Athlete consists of jet unit, assembly kit, pump and control box. No valves are included.

Jet Swim Athlete	
1302100	Jet Swim Athlete
1302130	Assembly kit Jet Swim Athlete concrete
1302185	Jet Swim Athlete Pump 50Hz
1302185HZ	Jet Swim Athlete Pump 60Hz
1302090	Jet Swim 2000/Athlete Control box 400/3~
33045	Jet Swim Athlete steel / liner package
33046	Jet Swim Athlete concrete / liner package



- 1. Pool wall
- 2. Engine room
- 3. Starter hose
- 4. Control box
- 5. Drain
- 6. Pressure
- 7. Suction
- 8. Front



 = Meets requirements of pool standard EN 16713